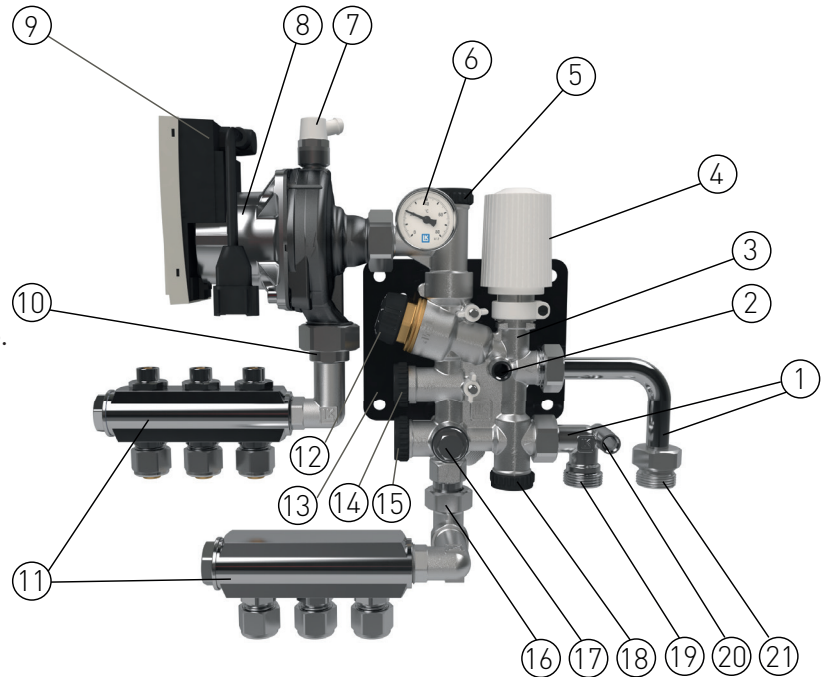


# Quick guide LK Minishunt M60n (Art.no 243 52 15)

1. LK Elbow Pipes M60n (accessory).
2. Thermometer pocket to measure the primary supply temperature.
3. LK Valve Housing.
4. Thermostat with capillary tube connected room sensor, length 2 m.
5. Supply valve (V2).
6. Thermometer and thermometer pocket for measuring the UFH's supply temperature.
7. Air bleeding valve with hose nipple.
8. Circulation pump.
9. Electrical connection of the circulation pump.
10. Connector feed underfloor heating.
11. LK Mini Manifold (accessory).
12. Temperature limiter (TEMP).
13. Bracket.
14. VF valve.
15. Return valve (V1).
16. Connector return underfloor heating.
17. Air bleeding/filling valve.
18. Switch between single or twin pipe system.
19. Primary return connection.
20. Thermometer pocket to measure the primary return temperature.
21. Primary feed connection  $\frac{3}{4}$ " EuroCone.



## DIMENSION SKETCH FOR THE LK UNDER FLOOR HEATING WITH MINISHUNT M60N

The table is based on a heat output of approx. 50 W/m<sup>2</sup> and an indoor temperature of 20 °C. The primary temperature is calculated at 55 °C and with a floor temperature at approx. 40/33 °C. Under floor heating systems 1-7 respectively 10-13 are calculated using 14 mm laminated parquet. Systems 8 and 9 are calculated using 22 mm laminated parquet.

	5m <sup>2</sup>	10m <sup>2</sup>	15m <sup>2</sup>	20m <sup>2</sup>	25m <sup>2</sup>	30m <sup>2</sup>	35m <sup>2</sup>	40m <sup>2</sup>	45m <sup>2</sup>	50m <sup>2</sup>	55m <sup>2</sup>	60m <sup>2</sup>
<b>1. Clip Rail 8 c/c 120 mm</b>	1x43m	2x43m	3x43m	4x43m								
<b>2. Clip Rail 12 c/c 150 mm</b>	1x35m	1x70m	2x53m	2x70m	3x58m	3x70m	4x61m	4x70m				
<b>3. Clip Rail 16 c/c 320 mm</b>	1x17m	1x35m	1x52m	2x35m	2x44m	2x53m	3x41m	3x46m	3x53m	4x44m	4x48m	
<b>4. Clip Rail 16 c/c 240 mm</b>	1x23m	1x46m	1x69m	2x46m	2x58m	2x69m	3x54m	3x61m	3x69m	4x58m	4x63m	4x69m
<b>5. Clip Rail 16 c/c 160 mm</b>	1x35m	1x70m	1x105m	2x70m	2x88m	3x70m	3x82m	3x93m	4x79m	4x88m	4x96m	
<b>6. Clip Rail 20 c/c 300 mm</b>	1x19m	1x38m	1x57m	1x76m	2x48m	2x57m	2x67m	2x76m	3x57m	3x63	3x70m	3x76m
<b>7. HeatFloor 22 pipe dim. X16 c/c 200 mm</b>	1x29m	1x57m	1x85m	2x57m	2x70m	3x57m	3x67m	3x76m	4x64m	4x70m	4x78m	4x85m
<b>8. Floor joist plate 16 c/c 200 mm</b>	1x29m	1x57m	2x43m	2x57m	3x48m	3x57m	4x50m	4x57m				
<b>9. Cross battening med distribution plate 16 c/c 200 mm</b>	1x29m	1x57m	1x85m	2x57m	3x48m	3x57m	4x50m	4x57m				
<b>10. Floating Floor EPS 30, 50, 70 pipe dim. X16 c/c 200 mm</b>	1x29m	1x57m	1x85m	2x57m	2x70m	2x85m	3x67m	3x76m	4x64m	4x70m	4x78m	4x85m
<b>11. LK Foil Board 30 Silent pipe dim. X16 c/c 200 mm</b>	1x29m	1x57m	1x85m	2x57m	2x70m	2x85m	3x67m	3x76m	3x85m	4x70m	4x78m	4x85m
<b>12. LK Foil Board 30 Silent pipe dim. X16 c/c 300 mm</b>	1x19m	1x38m	1x57m	2x38m	2x48m	2x57m	3x44m	3x51m	3x57m	4x47m	4x52m	4x57m
<b>13. HeatFloor 22 XPE pipe dim. X16 c/c 200 mm</b>	1x29m	1x57m	1x85m	2x57m	2x70m	2x85m	3x67m	3x76m	4x64m	4x70m	4x78m	4x85m
<b>14. EPS 16 pipe dim 12 c/c 150</b>	1x35m	1x70m	2x53m	2x70m	3x58m	3x70m	4x61m	4x70m				

LK Minishunt is intended for connection to the outdoor compensated heating system with main pump. Remember to always place the minishunt as the highest point in the floor heating installation. This is to ensure the venting routine.

## ACCESSORY GUIDE LK MINISHUNT M60N

### Pipe Connection:

**For connection of one Heating Circuit in dim 8.**

Two LK PushFit 8 single 1/2" male gg.  
Art. No.. 241 94 19



**For connection of two Floor Heating Circuits in dim 8.**

Two LK PushFit 8 Duo 1/2" female. gg.  
Art. no.. 241 93 79



Complement with two LK Double Nipple 1/2" male gg. Art. no. 33051

**For connection of three Floor Heating Circuits in dim 8.**

Two LK PushFit 8 Quattro 1/2" female. gg.  
Art. no. 241 94 12



Complement with two LK Nipple 1/2" male gg. Art. no. 330 51

Two LK PushFit 8 Plug (the plug is used for rebuilding to three circuits). Art. No.. 241 94 11



**For connection of four Floor Heating Circuits in dim 8.**

Two LK PushFit 8 Quattro G15 female  
Art. No. 241 94 12



Complement with two LK Nipple 1/2" male thread Art. no. 330 51

**For connection of four Floor Heating Circuits in dim. 12, 16 or 20.**

LK Coupling Male thread 12 x 1/2"  
Art. no. 241 74 66



LK Coupling Male Thread 16 x 1/2"  
Art. no. 241 74 64

LK Coupling Male Thread 20 x 1/2"  
Art. no. 241 79 08

**For connection of 2-4 Floor Heating Circuits (incl. conn. couplings) in dim 12, 16 or 20.**

- LK Mini Manifold 2-12 Art. no. 241 74 75
- LK Mini Manifold 3-12 Art. no. 241 74 76
- LK Mini Manifold 4-12 Art. no. 241 74 77
- LK Mini Manifold 2-16 Art. no. 241 74 78
- LK Mini Manifold 3-16 Art. no. 241 74 79
- LK Mini Manifold 4-16 Art. no. 241 74 80
- LK Mini Manifold 2-20 Art. no. 241 77 27
- LK Mini Manifold 3-20 Art. no. 241 77 28
- LK Mini Manifold 4-20 Art. no. 241 77 29



**LK Elbow pipes M60n**

For a compact assembly when feeding from below or above. Art. no. 243 52 23



### Room Regulation:

**LK Thermostatic Head with 5 m capillary sensor**

LK Thermostat, Art. no. 241 80 88



### Wired Room Control:

**LK Room Control Basic S1**

LK Room Thermostat S1, Art. no. 241 72 87  
LK Acuator, Art. no. 241 75 91  
LK Transformer, Art. no. 241 77 47  
LK Connection Box 1, Art. no. 241 73 28



**LK Room Control Basic S2**

LK Room Thermostat S2, Art. no. 243 44 01  
LK Acuator, Art. no. 241 75 91  
LK Transformer, Art. no. 241 77 47  
LK Connection box 1, Art. no. 241 73 28



**LK Wired Room Control ICS.2**

LK Room Thermostat RF ICS.2, Art. no. 243 46 21  
LK Receiver 1 ICS.2, Art. no. 243 46 26  
LK Acuator, Art. no. 241 75 91



**LK Room Control Basic S1 with Thermostat Valve Kit Mini**

For electronic control of respective circuit, wired  
LK Room Thermostat S1, Art. no. 241 72 87  
LK Thermostat Valve Kit Mini, Art. no. 241 73 38, dim 12  
LK Thermostat Valve Kit Mini, Art. no. 241 73 39, dim 16  
LK Connection Box, Art. no. 241 81 17



**LK Room Control Basic S2 with Thermostat Valve Kit Mini**

For electronic control of respective circuit, wired  
LK Room Thermostat S2, Art. no. 241 43 99  
LK Thermostat Valve Kit Mini, Art. no. 241 73 38, dim 12  
LK Thermostat Valve Kit Mini, Art. no. 241 73 39, dim 16  
LK Connection Box, Art. no. 241 81 17



**LK Wired Room Control ICS.2 with Thermostat Valve Kit Mini**

For electronic control of respective circuit, wired

- LK Room Thermostat W ICS.2, Art. no. 243 46 21
- LK Thermostat Valve Kit Mini, Art. no. 241 73 38, dim 12
- LK Thermostat Valve Kit Mini, Art. no. 241 73 39, dim 16
- LK Receiver 8 ICS.2, Art. no. 243 46 24



**Wireless Room Control:**

**LK Wireless Room Control ICS.2**

- LK Room Thermostat RF ICS.2, Art. no. 243 46 20
- LK Receiver 1 ICS.2, Art. no. 243 46 26
- LK Acuator, Art. no. 241 75 91



**LK Wireless Room Control ICS.2 with Thermostat Valve Kit Mini**

For electronic control of respective circuit, wireless

- LK Room Thermostat RF ICS.2, Art. no. 243 46 20
- LK Thermostat Valve Kit Mini, Art. no. 241 73 38, dim 12
- LK Thermostat Valve Kit Mini, Art. no. 241 73 39, dim 16
- LK Receiver 8 ICS.2, Art. no. 243 46 24



**Other accessories:**

**LK Heater 350**

LK Heater 350 is an electric comfort heater for floor heating installations performed with LK Minishunt M60n.

- LK Heater 350. 1-12 mm, Art. no. 241 91 18
- LK Heater 350. 2-12 mm, Art. no. 241 91 20
- LK Heater 350. 1-16 mm, Art. no. 241 91 19
- LK Heater 350. 2-16 mm, Art. no. 241 91 21



**LK Shunt Cabinet M60n**



Art. no.	Name	Intended for
243 53 70	LK Shunt Cabinet M60n	LK Minishunt M60n
243 53 69	LK Shunt Cabinet M60n XL	LK Minishunt M60n with assembled LK Mini Manifold or LK Heater 350
243 53 67	LK Frame/hatch M60n INB	Build-in LK Shunt Cabinet M60n VT
243 46 80	LK Frame/hatch GV INB	Build-in LK Shunt Cabinet M60n XL
243 53 68	LK Frame/hatch M60n UTV	Wall mounted LK Shunt Cabinet M60n
243 46 81	LK Frame/hatch GV UTV	Wall mounted LK Shunt Cabinet M60n XL
188 13 02	LK Base	Wall mounted LK Shunt Cabinet M60n
243 53 72	LK Base	Wall mounted LK Shunt Cabinet M60n XL