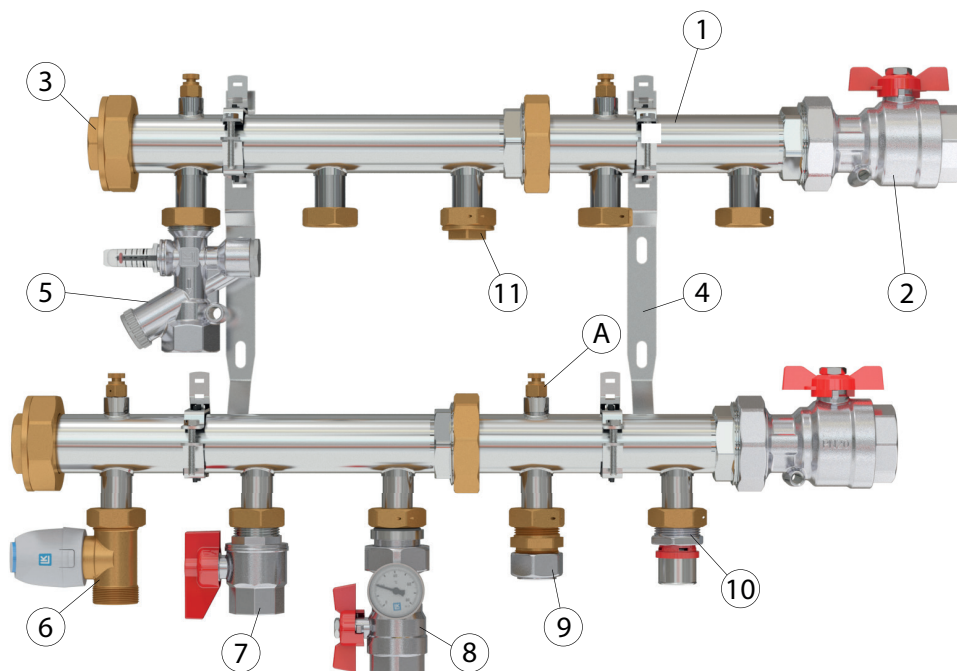


Accessory guide - LK Manifold Qmax 2"



LK Manifold Qmax

1	Article no. 243 51 68	LK Manifold Qmax 2" 2	L = 198 mm
1	Article no. 243 51 69	LK Manifold Qmax 2" 3	L = 298 mm
1	Article no. 243 51 70	LK Manifold Qmax 2" 4	L = 398 mm
1	Article no. 243 51 71	LK Manifold Qmax 2" 6	L = 598 mm

Ancillaries

2.	Article no. 243 51 66	LK Ball Valve 2"	Length = 99 mm
3.	Article no. 243 51 67	LK Plug 2"	For plugging Qmax manifolds
4.	Article no. 241 03 16	LK Bracket Qmax 2"	
7.	Article no. 241 75 50	LK Ball valve 1"	Length = 69 mm
8.	Article no. 241 89 00	LK Ball Valve with thermometer	Length = 115 mm
9.	Article no. 241 79 32 & Article no. 241 79 48	LK Connection Coupling 20 x 2.0 & LK Nipple 25 x 1"	For connecting LK Under floor Heating Pipe 20 x 2
9.	Article no. 241 79 07 & Article no. 241 79 48	LK Connection Coupling 25 x 2.3 & LK Nipple 25 x 1"	For connecting LK Heating Pipe 25 x 2.3 and LK Ground Heating Pipe 25 x 2.3.
9.	Article no. 241 79 42 & Article no. 241 79 51	LK Connection Coupling 32 x 2.9 & LK Nipple 32 x 1"	For connecting LK Heating Pipe 32 x 2.9
10.	Article no. 241 70 42	LK Press Fitting PV 25 x 1"	For connecting LK Heating Pipe 25 x 2.3 and LK Ground Heating Pipe 25 x 2.3.
10.	Article no. 187 65 11	LK Press Fitting PV 32 x 1"	For connecting LK Heating Pipe 32 x 2.9
11.	Article no. 187 56 98	LK Plug 1"	For plugging unused outlets
A.	Air Bleed Valve. Can be replaced by an LK Thermometer Pocket 33920 & LK Thermometer 0-80° 243 47 47		Note requirement for air bleeding.

LK Adjustment Valve

5.	Article no. 241 96 11	LK OptiFlow Evo II 2-16 l/min 1" in/out	Length = 99 mm
5.	Article no. 241 96 10	LK OptiFlow Evo II 4-36 l/min 1" in/out	Length = 99 mm

LK Single Zone Manifold Control

6	Article no. 241 98 96	LK Zone Control, 2-way 24V AC, 1"
6.	Article no. 241 98 98	LK Zone Control, 2-way 24V, 0-10V DC, 1"