

LK Manifold Cabinet UFH, LK Manifold Cabinet UFH Prefab LK Shunt Cabinet VS2, Shunt Cabinet VS2 Prefab

Scope

These assembly instructions are intended to be used for LK Manifold Cabinet UFH, LK Shunt Cabinet VS2 and for its versions in Prefab design. **Installation must be carried out in accordance with industry regulations Safe Water Installation.**

LK Manifold Cabinet UFH

LK Manifold Cabinet UFH is used when LK Manifold RF is to be hidden. The manifold cabinet is available in widths of 550, 800 and 1050 mm. In the Prefab version, the cabinet is delivered with a pre-assembled distributor.

LK Shunt Cabinet VS2

LK Shunt Cabinet VS2 is used when LK Manifold Shunt VS2 and LK Manifold RF are to be hidden. The shunt cabinet is available in widths of 800 and 1050 mm. In the Prefab version, the cabinet is delivered with a pre-assembled shunt and distributor.

LK Frame/Hatch UFH INB

Used for LK Manifold Cabinet UFH and LK Shunt Cabinet UFH as these cabinets are built into the wall. Frame/door has a drop-out frame to cover the hole punching around the cabinet.

LK Frame/Hatch UFH UTV

Used for LK Manifold Cabinet UFH and LK Shunt Cabinet VS2 as these cabinets are mounted externally on the wall. The frame/hatch ends flush with the outside of the cabinet.

LK Base UFH

Complement LK Frame/Hatch UFH which hides the pipe installation between cabinet and floor. **Note that the LK Base can be adjusted in height between 231-291 mm.**

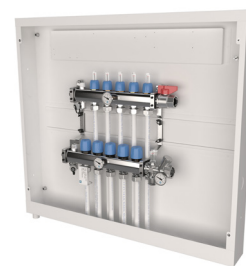
LK Wet zone hatch PRESEAL

In rooms with a waterproofing layer on the wall, LK Manifold Cabinet UFH should be supplemented with LK Wet zone hatch PRESEAL which is connected to the waterproofing layer of the wall. **The service opening (wet zone hatch) must not be placed near the bath or shower.**

For more information, see the separate product range and assembly instructions for LK Wet zone hatch PRESEAL.



LK Shunt Cabinet VS2 LK Shunt Cabinet VS2 Prefab



LK Manifold cabinet UFH LK Manifold Cabinet UFH Prefab



**Accepterad
monteringsanvisning
2021:1**

TABLE OF CONTENT

Scope	1
Installation requirements	2
Supplied with the product	3
Working procedure	5
Assembly aids	9
Dimension drawings	11
Pipe dimensions	13
Article data	13



INSTALLATION REQUIREMENTS



NOTE!
Service openings must not be fitted in bathrooms or shower areas.

Wet zone 1.



Wet zone 1 for baths and showers.



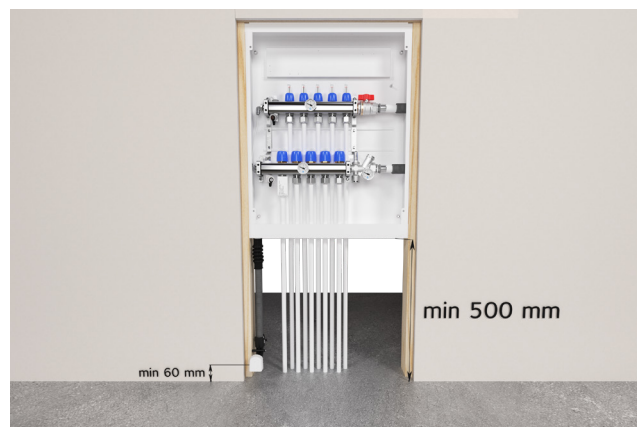
Wet zone 1 for showers.

Installation in stud walls

- A stud-frame thickness of at least 95 mm is required for in-wall installations.
- When installing in rooms with wall sealing layers, the LK Wet zone hatch PRESEAL requires an installation depth of at least 75 mm measured from the wet room sheet to the front edge of the shunt cabinet. For more information, see separate product range and assembly instruction sheets for LK Wet zone hatch PRESEAL.
- Pay extra attention to how deep the cabinet is fitted in relation to any insulated feed pipes. Refer to the illustration given in *Working procedure Step - D*.

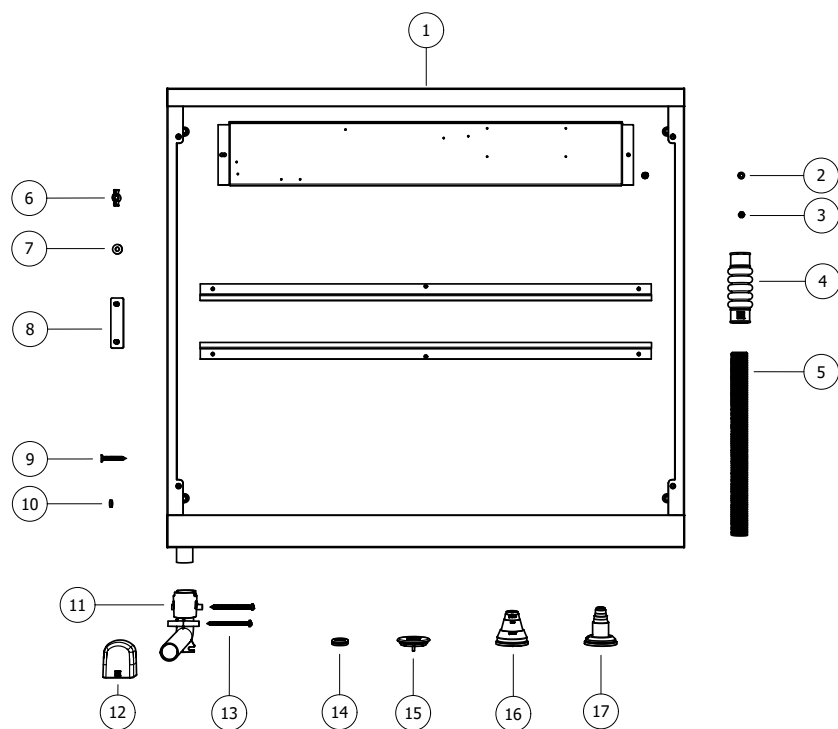
Installation height

If the design of the structure does not allow the pipes to be fitted at right angles for lower installations, the base of the cabinet must be placed at least 500 mm above the top of the upper edge of the floor joist.



Example picture of mounting the cabinet with a distance of 500 mm from the floor surface.

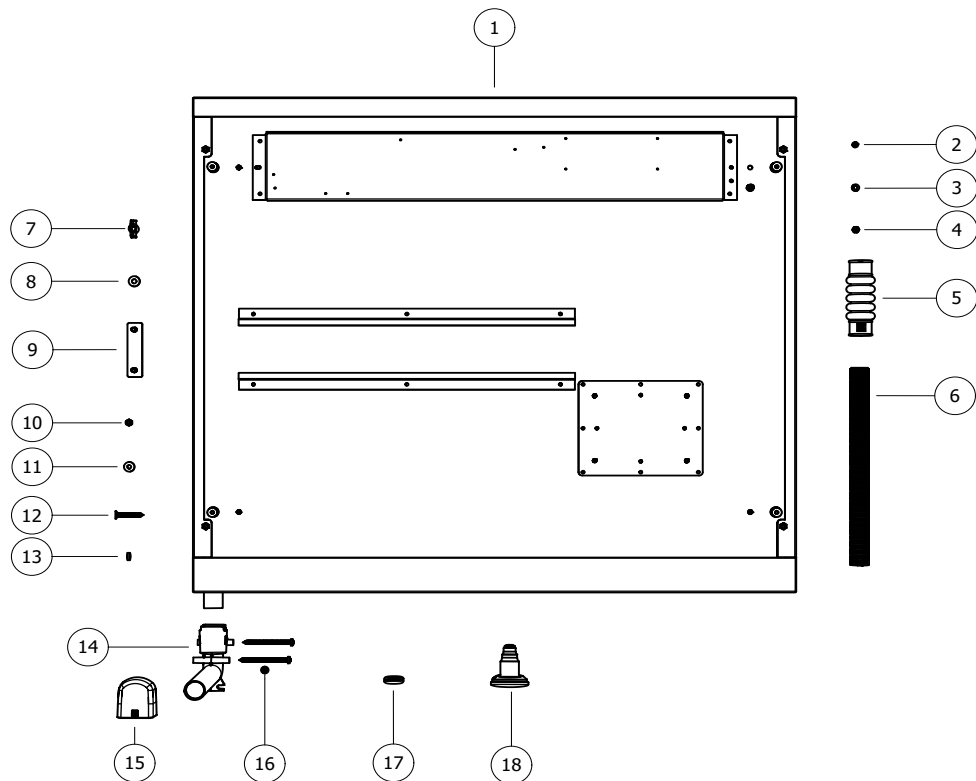
SUPPLIED WITH PRODUCT LK MANIFOLD CABINET UFH



No.	Name	Quantity	Article no
1	Manifold Cabinet UFH	1 pcs	243 46 84, 243 46 83, 241 03 13
2	Internal tooth Lock Washer M5	1 pcs	- preinstalled in cabinet
3	Threaded Earthing pin M5	1 pcs	- preinstalled in cabinet
4	Bellow Sleeve 25 LP	1 pcs	188 27 42
5	Conduit Ø25	1,5 m	187 06 65
6	Butterfly nut M6	1 pcs	inc i article 33027, 4 pcs/bag
7	Washer M6	1 pcs	inc i article 33027, 4 pcs/bag
8	Bracket manifold	2 pcs	2 pcs incl. in article 33950)
9	Wood screws (5 x 35 mm)	4 pcs	-
10	Seal for wood screws	4 pcs	-
11	LK Drainage Elbow V2	1 pcs	188 26 12 (incl. in package 188 26 11)
12	LK Outlet plate V2, white	1 pcs	188 26 13 (also incl. in package 188 26 11)
13	Assembly screws for Drainage Elbow V2	2 pcs	incl. in package 188 26 11
14	Cable Grommet	10 pcs	33952 (also incl. in package 33950)
15	LK Sealing Plug black 40 LP	10 pcs (550) 10 pcs (800) 16 pcs (1050)	188 27 21 (10-package)
16	LK Rubber pipe grommet for feed pipe 20-25 LP	2 pcs	187 44 84
17	LK Rubber pipe grommet 8-20 LP	10 pcs (550) 20 pcs (800) 26 pcs (1050)	188 27 23
-	LK Spray Guard (705 x 400 mm)	2 pcs	188 24 07
-	LK Spray Guard (705 x 400 mm)	1 pc	188 24 08



SUPPLIED WITH PRODUCT LK SHUNT CABINET VS2



No.	Name	Quantity	Article no
1	LK Shunt Cabinet VS2	1 pcs	243 53 61, 243 53 62
2	Internal tooth Lock Washer M5	1 pcs	- preinstalled in cabinet
3	Lock Nut M5	1 pcs	- preinstalled in cabinet
4	Threaded Earthing pin M5	1 pcs	- preinstalled in cabinet
5	Bellow Sleeve 25 LP	1 pcs	188 27 42
6	Conduit Ø25	1,5 m	187 06 65
7	Butterfly nut M6	1 pcs	inc i article 33027, 4 pcs/bag
8	Washer M6	1 pcs	inc i article 33027, 4 pcs/bag
9	Bracket manifold	2 pcs	2 pcs incl. in article 33027)
10	Nut M5	4 pcs	-
11	Washer M5	4 pcs	-
12	Wood screws (5 x 35 mm)	4 pcs	-
13	Seal for wood screws	4 pcs	-
14	LK Drainage Elbow V2	1 pcs	188 26 12 (incl. in package 188 26 11)
15	LK Outlet plate V2, white	1 pcs	188 26 13 (also incl. in package 188 26 11)
16	Assembly screws for Drainage Elbow	2 pcs	incl. in package 188 26 11
17	Cable Grommet	10 pcs	33952 (also incl. in package 33950)
18	Pipe Grommet 8-20 LP	16 pcs (800) 26 pcs (1050)	298 61 50
-	LK Spray Guard (705 x 400 mm)	2 pcs (800) 3 pcs (1050)	188 24 07
-	LK Spray Guard (705 x 400 mm)	1 pc (800) 0 pc (1050)	188 24 08



WORKING PROCEDURE

The cabinet is assembled in accordance with the instructions, with the exception of the assembly of the LK Manifold Shunt VS2, which is already assembled on delivery.

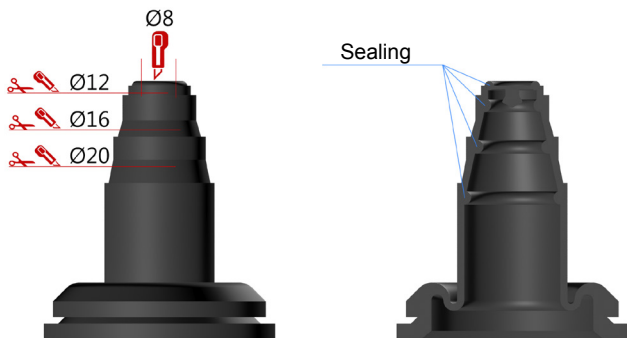
Step A - Prepare pipe grommets



NOTE!
If the seal for the pipe dimension is damaged when cutting, then it must be replaced with a new seal.

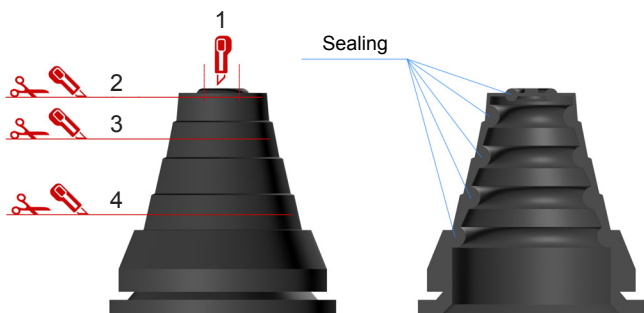
Prepare pipe grommets for feed pipes and under-floor heating pipes.

- Adapt/cut the grommets to the correct dimension based on the pipe dimension use.



Cutting the pipe grommet.

A cross-section of the pipe grommet shows the place ment of the pipe seal.



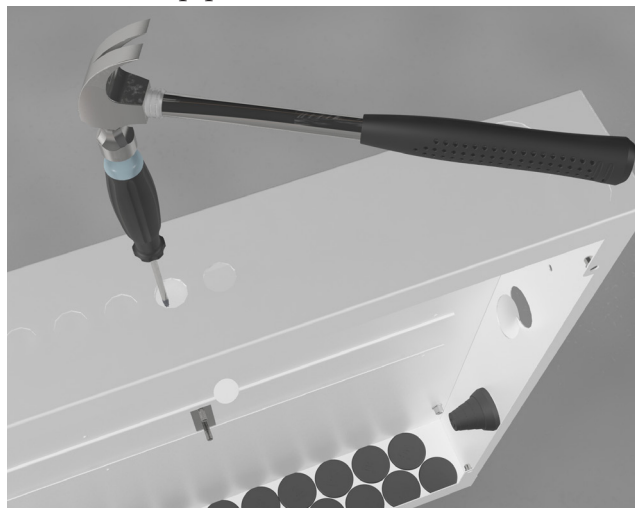
Cutting the pipe grommet.

A cross-section of the pipe grommet shows the place ment of the pipe seal.

Cutting level	Dim. Pipe	Dim. Conduit (PiP)
1	Ø12	–
2	Ø16-20	–
3	Ø25	Ø25
4	Ø32	Ø34

Step B - Knock-out

1. Remove the required number of knock-out holes for cables to room control.
2. Install the cable grommets.
3. If the feed pipes are to be connected from the side, the knock-out holes are removed from the side of the cabinet.
4. The pipe grommets are then installed for the feed pipes.



Remove the knock-out holes using a hammer and screwdriver.

Step C - Assemble the pipe grommets and sealing plugs



NOTE!
Pay particular attention during the assembly of pipe grommets and sealing plugs so the cabinet base is sealed.

1. Fit the adapted pipe grommets and the LK Sealing Plug before the cabinet is installed in its final location.
2. LK Sealing Plugs are fitted so the LK Logo can be seen inside the cabinet.





Assemble the pipe grommets and sealing plugs.



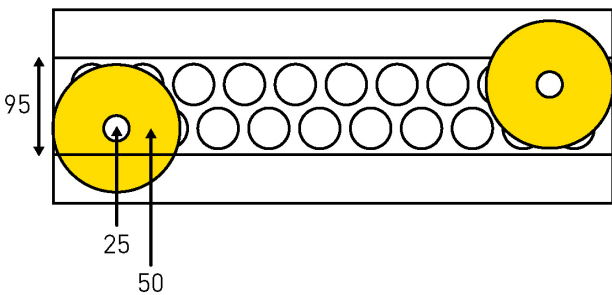
Step D - Install the cabinet

The back of the cabinet is equipped with four pre-assembled M8 nuts that can be used for attachment to the LK Cabinet stand when you wish to assemble the cabinet before a concrete slab is cast.

 **NOTE!**
The cabinet should never be installed further out than edge to edge with the stud-frame, so the Frame/hatch GV INB can be installed.

 **NOTE!**
If the cabinet is placed on an outer wall, it should be installed on the warm side of the construction, inside the airtight foil.

1. Install the cabinet in the stud-frame externally on an existing wall. See heading *Installation requirements*, for information on wall rule thickness.
2. Fix the manifold cabinet in the building structure. For wood stud constructions, use the screws and sealing plates supplied. The cabinet can also be fixed using the LK Legs for Manifold Cabinet UNI/GV.
3. Pay attention to the depth of the cabinet's placement so there is also space for any pipe insulation, see the example illustration.




Example, installation with insulation on feed pipe. The illustration shows a cabinet with a depth of 95 mm.

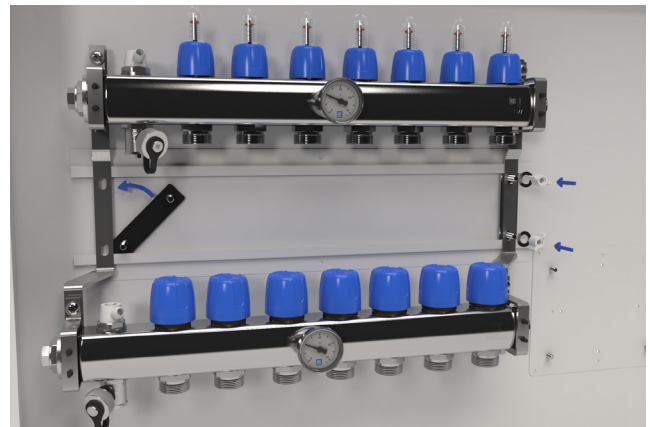


Securing the cabinet in a stud-frame.

Step E - Assemble the manifold & manifold shunt

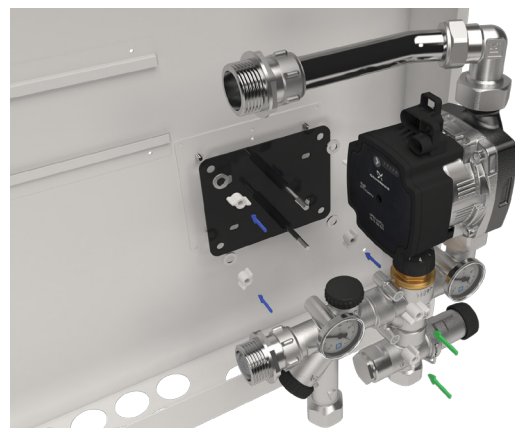
 **NOTE!**
When assembling a prefabricated cabinet the LK Manifold VS2 is already mounted. **LK Manifold RF is not mounted.**

1. Assemble the bracket attachments on the cabinet's rail. Refer to the picture below, *Assembling the LK Manifold RF*.
2. LK Manifold RF is then mounted on the bracket attachments.
3. Follow the included instructions for installation of the manifold/s.
4. Execute a *pressure and tightness check* of the pipe connections according to the assembly instructions.



Assembling the LK Manifold RF.

5. Install the shunt bracket at the assigned place in the cabinet if it is not already mounted.
6. Then install the shunt group in the bracket.
7. Push the manifold to the shunt group and tighten the unit.



Assembling the LK Manifold Shunt VS2.



Step F - Pipe grommets

1. Pull the underfloor heating pipes through the pipe grommets. This is easier if the pipes have been lubricated with soapy water or similar.
2. The pipes are then connected to the manifold in accordance with the instructions for the manifold.



NOTE!

Check that the pipe penetration is correct fitted after all pipes have been fitted as per Step F.

3. Tighten connections on distributors in LK Prefab cabinets.
4. Check that the O-ring in the cabinet feed-through, if present, is in a valley on the corrugated empty pipe.
5. Therefore, fix the empty pipes with LK Fixing plate or in another way for a perpendicular rise. It is important that the pipes enter the cabinet perpendicularly to ensure a tight bottom.

Pressure and tightness check

Pressure and tightness control must be carried out according to *“Installation instructions for LK PE-X, PAL and PE-RT pipes”* or according to industry regulations *“Safe water installation”*.

Step G - Installing the cabinet drainage



NOTE!

Drainage outlets from cabinets with a tap water installation must always open into a space with a floor drain or a waterproof floor.



NOTE, EXCEPTION!

Cabinets placed in stairwells may have leakage indicators that open into the stairwell on a waterproof or water-repellent floor. The exception does not apply to detached houses.

- Drain outlet from cabinet with installation for heating systems can flow out from the wall surface under the cabinet in rooms where you normally stay and any leakage can be easily detected.
- For pipe penetrations in the wall, get measurements between pipe and adjacent wall or the floor’s waterproofing layer must not be less than 60 mm.
- A leak indicator must not be placed in a bath or shower area.

Install the drainage elbow

The drainage bend can be mounted in different ways:

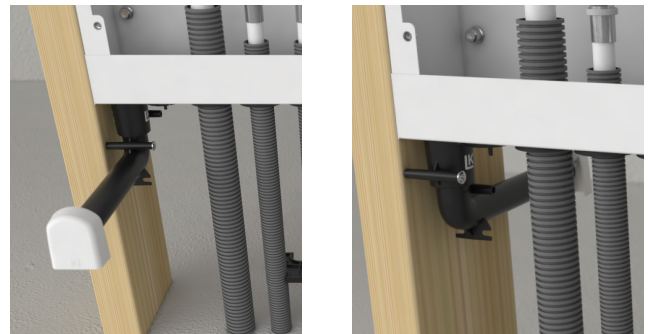
- Drainage elbow connected directly to the cabinet’s outlet pipe.
- Drainage elbow connected via a conduit.
- Connection of drainage pipes

See page 7-8 for the different assemblies.

Drainage elbow connected directly to the cabinet’s outlet pipe

Drainage from the wall surface under the cabinet. For cabinets mounted externally on the wall, the drainage elbow opens out into the pre-drilled hole in the base.

1. Connect the drainage elbow directly to the cabinet’s outlet pipe after all pipe inlets and sealing plugs have been installed.
2. Fix the drainage elbow to a wall stud in a suitable position. Insert the two installation screws supplied in any of the fixing holes.



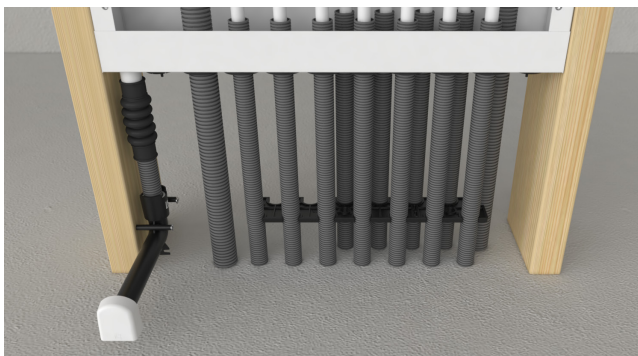
Principle picture. Drainage elbow directly connected to the cabinet’s outlet opens in the same room as the cabinet’s service opening.

Drainage elbow connected via a conduit.

1. Connect the conduit to the cabinet’s drainage pipe using the bellow sleeve. The bellow sleeve must not be deformed in a manner that prevents the flow of any water leaks.
2. Connect the drainage elbow to the conduit. Note that the pipe should rest in the drainage elbow at a depth of approximately 20 mm.
3. Fix the drainage elbow to a wall stud in a suitable position. Insert the two installation screws supplied in any of the fixing holes.



4. Ensure that the conduit is installed sloping downwards towards the outlet and that the conduit is secured.

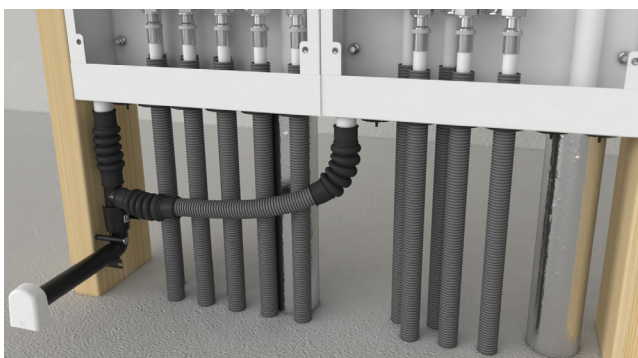


Drainage elbow connected via a conduit.

Connection of drainage pipes

It is possible to connect drainage pipes from two cabinets. The illustration below shows side-by-side installation but drainage pipes can also be connected when the cabinets are mounted further apart.

1. Use LK Drainage Kit 25 Duo.
2. Fix the drainage elbow to a wall stud in a suitable position. Insert the two installation screws supplied in any of the fixing holes.
3. Ensure that the conduit is installed sloping downwards towards the outlet and that the conduit is secured.



Connection of drainage pipes.

Installation of outlet plate



NOTE!

Although LK Systems can supply the LK Pipe Membrane, the sealing contractor should carry out the installation and be responsible for the waterproofing characteristics of the sealing layer in accordance with industry regulations issued by the Swedish Ceramic Tile Council (BBV), Swedish Flooring Trade Association Wet Room Control (GVK) or the Swedish Painting Industry Wet Room Control (MVK).

1. Install a wall panel with a hole for the drainage elbow's outlet pipe. Hole diameter approx. 26 mm. Connect any sealing layer as per the instructions of the supplier of the sealing layer.
2. Once the wall panelling is installed, the drainage elbow should be cut to size using the LK Drainage elbow cutter V2. Alternatively, the drainage elbow can be cut to a suitable length using a tool such as a hacksaw blade.
3. Be careful not to damage the surface layer, leave 2-3 mm of the outlet pipe protruding from the wall. In rooms with a waterproof layer on the wall leave 6-9 mm.
4. Install the LK Outlet Plate V2 in the outlet pipe. For a more luxurious finish, the LK Outlet Plate V2 Chrome is available as an accessory.

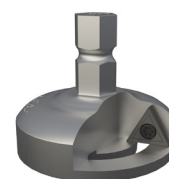


Installation of the LK Outlet Plate V2.

Accessories



LK Outlet Plate V2 Chrome, article no. 188 26 14.



LK Drainage elbow cutter V2 article no. 188 26 15.



Step H - Install Spray Guard

- Assemble the spray guard supplied. Be careful that the guard is pushed out to the side so the entire cabinet width is covered by the guard.

Step I - Install Frame/hatch

There are two types of frames/hatches depending on whether the cabinet is mounted inside or outside on an interior wall. In rooms with a waterproofing layer on the wall, the LK Manifold Cabinet must be supplemented with the LK Wet Zone Hatch PRESEAL, which is connected to the wall's waterproofing layer.

Service opening (wet zone hatch) must not be placed in place of bath or shower. For more information on the product range and installation instructions for the LK Wet Zone Hatch PRESEAL, see www.lksystems.se/en.

Install Frame/hatch UFH INB

When the cabinet is built into a wall, the LK Frame/hatch UFH INB is used which has a precipitating frame in order to cover the hole around the cabinet. The frame covers an area of 15 mm beyond the edge of the cabinet.

- Install the LK Frame/hatch using the M5 screws provided. If the cabinet is installed so far into the construction that the screws are too short, then these should be replaced with longer screws (not included).

Install Frame/hatch UFH UTV

When the cabinet is installed externally on a wall, the LK Frame/hatch UFH UTV is used, which fits edge to edge with the outsides of the cabinet.

- Install the frame using the screws and mounting plates (4 pcs) provided, see the illustration. Fit the four white cover plugs on the end of the cabinet.

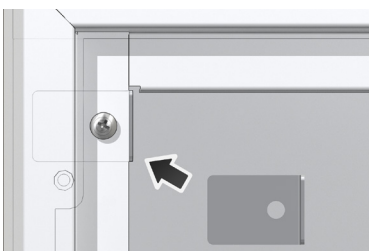
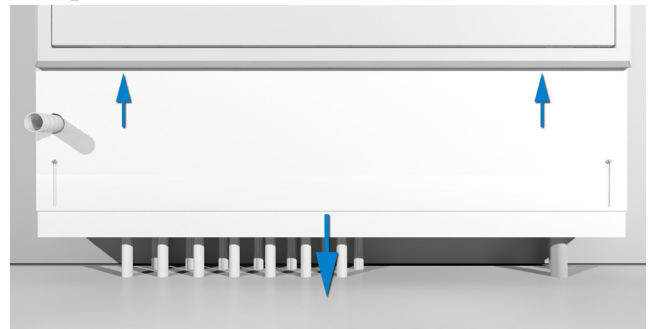


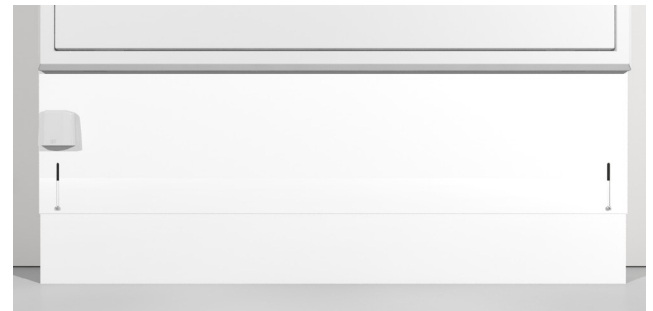
Plate and screws for the LK Frame/hatch UFH UTV.

Install Base

1. With an external installation of the LK Shunt Cabinet VS2, install the LK Base by first pushing the upper part of the base into the intended grooves in the cabinet frame.
2. Also ensure that the drainage elbow runs through the intended hole.
3. The lower part of the base is then pulled out to the floor.
4. When the correct height is reached, then the installation is fixed using screws on the front of the base.
5. Adapt the length of the drainage elbow to the outside of the base and install the outlet plate.



LK Base installation.



Outlet plate fitted on base.

Installation of LK Shunt Cabinet VS2 Prefab

The cabinet is installed in accordance with the instructions above with the exception of the installation of the LK Manifold RF and the LK Manifold Shunt VS2, which are already assembled on delivery.

ASSEMBLY AIDS

Assembly is easier with the LK Cabinet Stand L2. The back of the cabinet is fitted with four anchor points (M8 nuts) which can be used to assemble the cabinet before the concrete base is cast. The LK Cabinet Stand L2 can be used as an aid and is assembled as below.



LK Cabinet Stand L2 with anchor clips.

1. Mount the four M8 nuts provided in the back of the cabinet.
2. Attach pipe fixings to the extended bolts.
3. Slip on the round bar and attach the conduit pieces provided with the stand. The conduits stop the stand from becoming set in the concrete, making it reusable.
4. Knock down the round bars through the insulation and into the sand until the installation feels stable.
5. Lift up the cabinet to a suitable height and tighten the fixings.
6. Tape the conduits to the legs of the stand to stop the conduits from moving when pouring the concrete.



Mounted LK Cabinet Stand L2.



Close-up of fastening to cabinet.

Assembly with the LK Legs for Manifold Cabinet UNI/GV

The LK Legs for Manifold Cabinet UNI/GV simplifies cabinet assembly on prefabricated concrete joists. Manufactured from galvanised steel plate.

Supplied in pairs with 4 self-tapping screws to fix to the manifold cabinet. The feet have 6 mm holes for fixing to the concrete floor structure. The legs are secured using a bolt or metal nail plug (not supplied).

In cases where the manifold cabinet is not adequately secured by the leg stand, then the cabinet should also be secured to the wall.

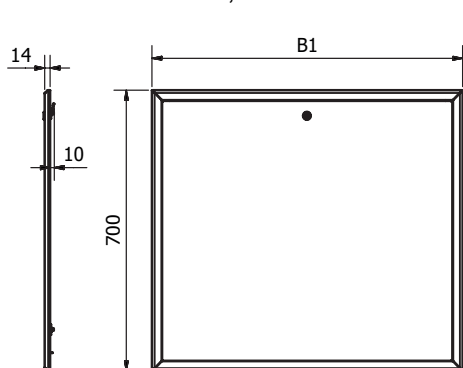


LK Legs for Manifold Cabinet UNI/GV.

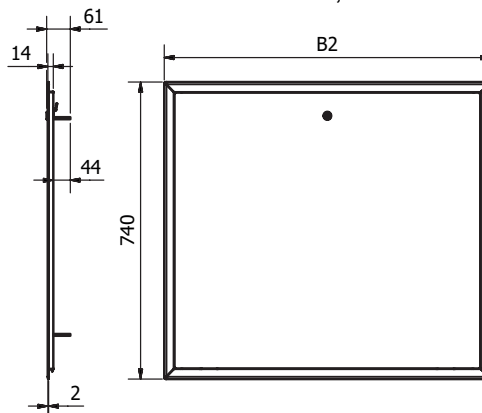


DIMENSION DRAWINGS, LK MANIFOLD CABINET UFH, LK MANIFOLD CABINET UFH PREFAB

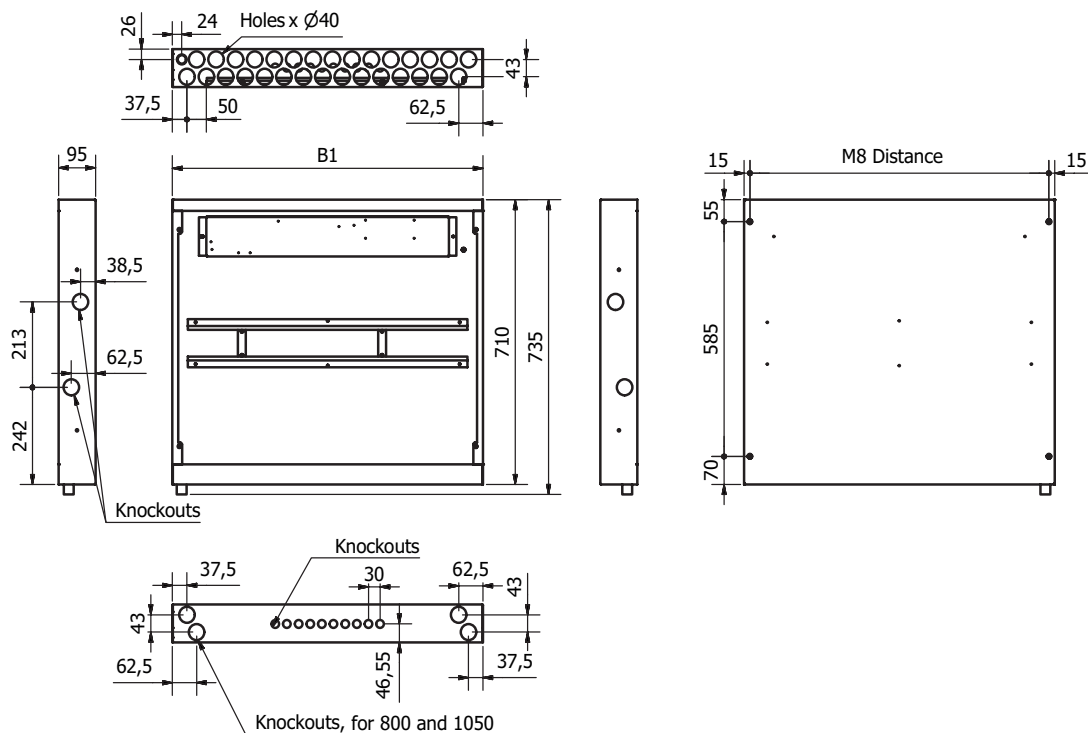
LK Fram/Hatch UFH, UTV



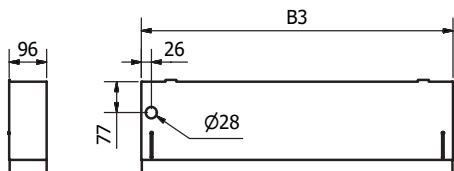
LK Frame/Hatch UFH, INB



LK Manifold Cabinet UFH



LK Base UFH

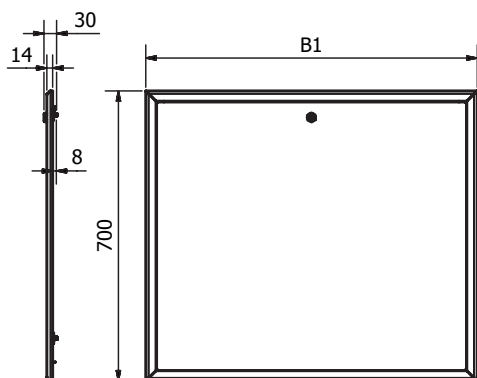


Cabinet	B1 mm	B2 mm	B3 mm	No. holes	M8 distance
550	550	590	553	20	520
800	800	840	803	30	770
1050	1050	1090	1053	40	1020

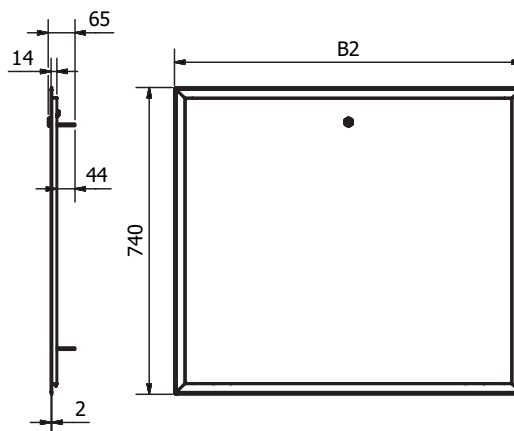


DIMENSION DRAWINGS, LK SHUNT CABINET VS2, LK SHUNT CABINET VS2 PREFAB

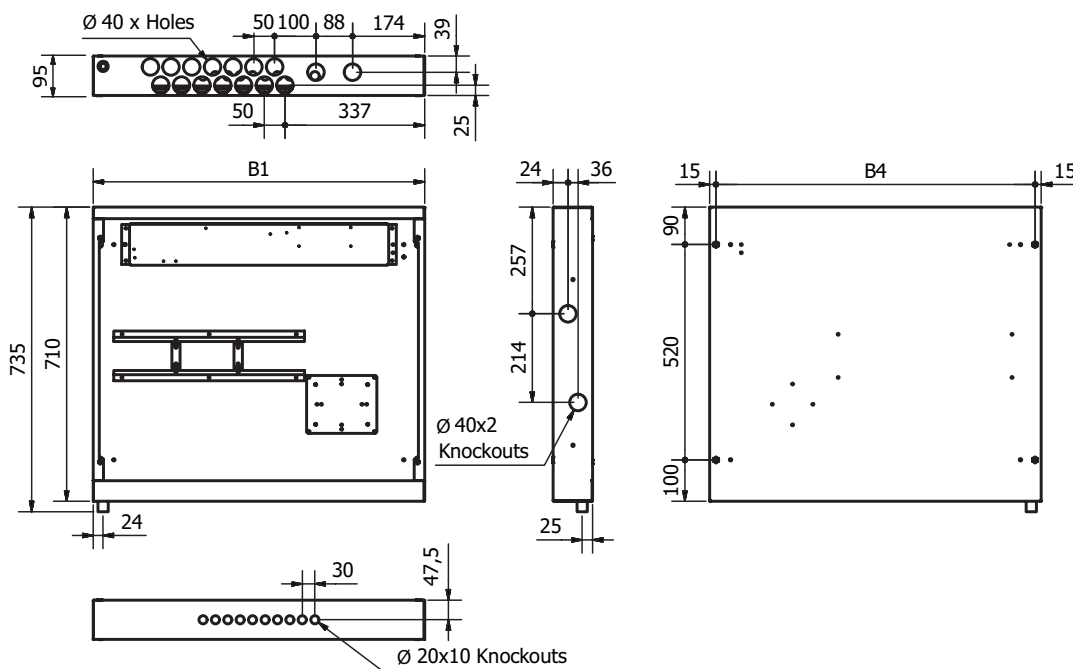
LK Frame/hatch UFH, UTV



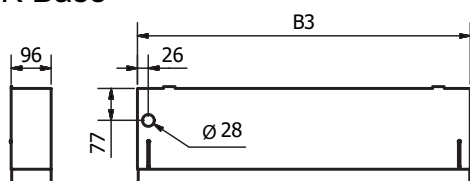
LK Frame/hatch UFH, INB



LK Shunt Cabinet VS2



LK Base



Cabinet type	B1 mm	B2 mm	B3 mm	No. of holes	B4 mm
800	800	840	803	14 + 2	770
1050	1050	1090	1053	24 + 2	1020



PIPE DIMENSIONS, LK MANIFOLD CABINET UFH

The table shows which dimensions and pipe types that can be connected to the LK Manifold Cabinet UFH/ LK Manifold Cabinet UFH. For more information on products included in the LK Floor heating system see: www.lksystems.se/en (products/lk floor heating/products/pipes)

Pipe grommet	PE pipes	Metal pipes	Pipe-in-Pipe conduit dimension
Pipe Grommet 8-20 LP	8, 12, 16 & 20 mm	-	-
Pipe Grommet 20-25 LP for supply pipes in PE	20, 25 & 32 mm	22 & 28 mm	34 mm
LK Pipe Grommet 8, Quattro*	8 mm	-	-
LK Pipe Grommet 32, Pipe-in-Pipe LP*	32 mm	-	40-44 mm

* Ordered separately.

ARTICLE DATA

Name	Article no	Comment
LK Manifold Cabinet 550	243 46 84	For LK Manifold Shunt VS2 and VKF-RF 2-4
LK Manifold Cabinet 800	243 46 83	For LK Manifold Shunt VS2 and VKF-RF 5-9
LK Manifold Cabinet 1050	241 03 13	For LK Manifold Shunt VS2 and VKF-RF 10-12
LK Manifold Cabinet 550 Prefab -2	243 47 20	With installed LK Manifold Shunt VS2 and VKF-RF 2
LK Manifold Cabinet 550 Prefab -3	243 47 21	With installed LK Manifold Shunt VS2 and VKF-RF 3
LK Manifold Cabinet 550 Prefab -4	243 47 22	With installed LK Manifold Shunt VS2 and VKF-RF 4
LK Manifold Cabinet 800 Prefab -5	243 47 23	With installed LK Manifold Shunt VS2 and VKF-RF 5
LK Manifold Cabinet 800 Prefab -6	243 47 24	With installed LK Manifold Shunt VS2 and VKF-RF 6
LK Manifold Cabinet 800 Prefab -7	243 47 25	With installed LK Manifold Shunt VS2 and VKF-RF 7
LK Manifold Cabinet 800 Prefab -8	243 47 26	With installed LK Manifold Shunt VS2 and VKF-RF 8
LK Manifold Cabinet 800 Prefab -9	243 47 27	With installed LK Manifold Shunt VS2 and VKF-RF 9
LK Manifold Cabinet 1050 Prefab -10	243 52 60	With installed LK Manifold Shunt VS2 and VKF-RF 10
LK Manifold Cabinet 1050 Prefab -11	243 53 08	With installed LK Manifold Shunt VS2 and VKF-RF 11
LK Manifold Cabinet 1050 Prefab -12	243 53 09	With installed LK Manifold Shunt VS2 and VKF-RF 12
LK Frame/hatch GV 550 INB	243 46 80	Intended for GV 550 cabinets built into the wall
LK Frame/hatch GV 800 INB	243 46 79	Intended for GV 800 cabinets built into the wall
LK Frame/hatch GV 1050 INB	243 53 63	Intended for GV 1050 cabinets built into the wall
LK Frame/hatch GV 550 UTV	243 46 81	Intended for GV 550 cabinets installed externally on the wall
LK Frame/hatch GV 800 UTV	243 46 78	Intended for GV 800 cabinets installed externally on the wall
LK Frame/hatch GV 1050 UTV	243 53 64	Intended for GV 1050 cabinets installed externally on the wall
LK Base 550 (depth 95)	243 46 89	Accessories for external installation
LK Base 800 (depth 95)	243 46 88	Accessories for external installation
LK Base 1050 (depth 95)	243 53 65	Accessories for external installation
LK Lock with key	188 23 52	Accessories
LK Pipe Grommet 8-20 LP	298 61 50	Spare part
LK Pipe Grommet 20-25 LP	188 27 23	Spare part
LK Sealing Plug 40 LP	188 27 21	Spare part
LK Pipe Grommet 32 PiP LP with 40 mm conduit	188 27 24	Accessory (sold in pairs)
LK Pipe Grommet 8 mm, Quattro	241 94 61	Accessories
LK Cabinet Stand L2	243 55 16	Accessories
LK Plastic Clips conduit 25	188 07 62	Spare part
LK Leg Stand UNI/GV	187 82 02	Accessories



PIPE DIMENSIONS, LK SHUNT CABINET VS2/LK SHUNT CABINET VS2 PREFAB

The table shows which dimensions and pipe types that can be connected to the LK Shunt Cabinet VS2/LK Shunt Cabinet VS2 Prefab. For more information on products included in the LK Floor heating system see: [www.lksystems.se/en \(products/lk floor heating/products/pipes\)](http://www.lksystems.se/en/products/lk-floor-heating/products/pipes)

Pipe grommet	PE pipes	Metal pipes	Pipe-in-Pipe conduit dimension
Pipe Grommet 8-20 LP	8, 12, 16 & 20 mm	-	-
Pipe Grommet 20-25 LP for supply pipes in PE	20, 25 & 32 mm	22 & 28 mm	34 mm
LK Pipe Grommet 8, Quattro*	8 mm	-	-
LK Pipe Grommet 32, Pipe-in-Pipe LP*	32 mm	-	40-44 mm

* ordered separately.

ARTICLE DATA

Name	Article no	Comment
LK Shunt Cabinet VS2 800	243 53 61	For LK Manifold Shunt VS2 and VKF-RF 2-7
LK Shunt Cabinet VS2 1050	243 53 62	For LK Manifold Shunt VS2 and VKF-RF 2-12
LK Shunt Cabinet VS2 800 Prefab -2	243 53 79	With installed LK Manifold Shunt VS2 and VKF-RF 2
LK Shunt Cabinet VS2 800 Prefab -3	243 53 80	With installed LK Manifold Shunt VS2 and VKF-RF 3
LK Shunt Cabinet VS2 800 Prefab -4	243 53 81	With installed LK Manifold Shunt VS2 and VKF-RF 4
LK Shunt Cabinet VS2 800 Prefab -5	243 53 82	With installed LK Manifold Shunt VS2 and VKF-RF 5
LK Shunt Cabinet VS2 800 Prefab -6	243 53 83	With installed LK Manifold Shunt VS2 and VKF-RF 6
LK Shunt Cabinet VS2 800 Prefab -7	243 53 84	With installed LK Manifold Shunt VS2 and VKF-RF 7
LK Shunt Cabinet VS2 1050 Prefab -8	243 53 85	With installed LK Manifold Shunt VS2 and VKF-RF 8
LK Shunt Cabinet VS2 1050 Prefab -9	243 53 86	With installed LK Manifold Shunt VS2 and VKF-RF 9
LK Shunt Cabinet VS2 1050 Prefab -10	243 53 87	With installed LK Manifold Shunt VS2 and VKF-RF 10
LK Shunt Cabinet VS2 1050 Prefab -11	243 53 88	With installed LK Manifold Shunt VS2 and VKF-RF 11
LK Shunt Cabinet VS2 1050 Prefab -12	243 53 89	With installed LK Manifold Shunt VS2 and VKF-RF 12
LK Frame/hatch GV 800 INB	243 46 79	Intended for GV 800 cabinets built into the wall
LK Frame/hatch GV 1050 INB	243 53 63	Intended for GV 1050 cabinets built into the wall
LK Frame/hatch GV 800 UTV	243 46 78	Intended for GV 800 cabinets installed externally on the wall
LK Frame/hatch GV 1050 UTV	243 53 64	Intended for GV 1050 cabinets installed externally on the wall
LK Base 800 (depth 95)	243 46 88	Accessories for external installation
LK Base 1050 (depth 95)	243 53 65	Accessories for external installation
LK Lock with key	188 23 52	Accessories
LK Pipe Grommet 8-20 LP	298 61 50	Spare part
LK Pipe Grommet 20-25 LP	188 27 23	Spare part
LK Sealing Plug 40 LP	188 27 21	Spare part
LK Pipe Grommet 32 PiP LP with 40 mm conduit	188 27 24	Accessory (sold in pairs)
LK Pipe Grommet 8 mm, Quattro	241 94 61	Accessories
LK Outlet Plate chrome	188 09 99	Accessories
LK Sealing Membrane	481 43 82	Accessories
LK Drainage elbow cutter V2	188 26 15	Accessories
LK Cabinet Stand L2	243 55 16	Accessories
LK Plastic Clips conduit 25	188 07 62	Spare part
LK Legs for Manifold Cabinet UNI/GV	187 82 02	Accessories

