

LK Mixer Support V2

DESIGN

- RSK 188 26 81, Simple mixer mount for 150 cc.
- For concealed piping G20 with external thread. Dimensions Ø70 x H45mm.
- Coupling for 16mm PE-X and PAL (PE-RT / AI / PE-RT).
- For use with tap water.
- Maximum 1.0 MPa (10 bar).
- Use a maximum pressure of 1.6 Mbar (16 bar) during tests.
- Maximum value for continuous working temperature is 70 °C.
- Maximum value for instantaneous working temperature is 95 °C.
- The production has taken place in accordance with the type approval certificate no: SC0250-10.



Accepterad
monteringsanvisning
2021:1



LK Tappvattensystem är godkänt enligt Nordtestmetoden NT VVS 129.

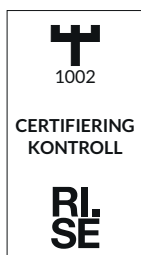


TABLE OF CONTENTS

Design	1
Installation requirements	1
Installation - Workflow	2
Dimension drawings	2

INSTALLATION REQUIREMENTS



NOTE!

The installation described in this document is done according to the industry rules on the Swedish market: Safe Water Installation. <https://www.sakervatten.se/>



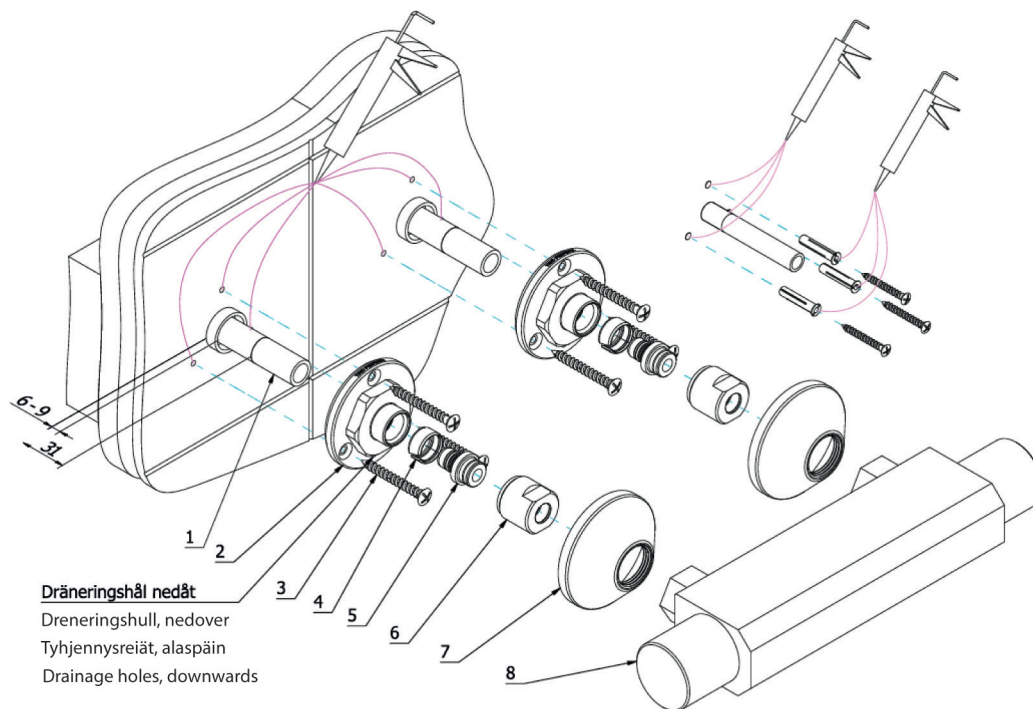
NOTE!

The pressure and tightness check must be performed according to Installation instructions for LK PE-X, PAL and PE-RT pipes.

1. Make a shorting between two joists or equivalent as the screw attachment must be made in a solid construction (concrete, joists).
2. Make sure that the media pipes are fixed in the wall so that movement can not occur between the pipe and the wall panel or, equivalent when the sealing layer is mounted.
3. The media pipes must be mounted perpendicular to the wall and protrude at least 60 mm.



INSTALLATION - WORKFLOW



NOTE!

Put silicone before and after inserting the plug.

1. If a protective pipe is used, cut the pipe 6-9 mm externally, against the wall.
2. Media pipes are pushed into protective pipes until they stop. Mark and cut the pipes perpendicular, 31 mm from the wall.
3. Calibrate and grade the pipes.
4. Screw the mixer bracket (2) into the wall, with the drain hole turned downwards. Check that no screws (3) can damage the media pipe. Seal the draining holes with silicone.
5. Thread the clamping ring (4) onto the pipes and press the support sleeve (5) until it bottoms against the pipes.
6. Mount the G20 nipple (6) and pull it by hand. Then tighten with a wrench approx. 1.5 turns until locking is obtained, use the hexagon of the mixer bracket as resistance. Prevent stress corrosion by loosening the G20 nipple (6) and then tightening it again.
7. Fit the cover (7).
8. Install the mixer (8). Tighten the nuts alternately by hand so that the mixer is pressed against the mixer bracket.
9. Retighten with a wrench until a seal is obtained.
10. Prevent stress corrosion by loosening the nut and then tightening again.
11. Perform a pressure and tightness check according to Assembly instructions for LK PE-X, PAL and PE-RT pipes.
12. Document it.

DIMENSION DRAWINGS (MM)

