

LK Angle Wall Bracket Grip V2

DESIGN

- RSK 188 27 00
- Also for side assembly mounting
- Compact dimensions
- Stable fastening with three attachments in the wall support.

Angle wall bracket for pipe exits from walls or floors. Designed for 25 mm protective conduits and 16 mm media pipes.

A minimum of 55 mm free space on the inside of the wall is required to install the product.

The angle wall bracket can be attached to the LK Wall Support, on nogging pieces or on the side of studs. There is a tool which facilitates dis-assembly of the angle wall bracket from the wall support.

Two angle wall brackets can be installed next to each other with 40 c/c between the pipe exits. For installation with 60 c/c use LK Wall support.

LK PE-X Universal pipe X16 with conduit 25/20 mm (PiP):

The bend radius for conduits that correspond to the LK Angle Wall Bracket Grip V2 is tested and approved in accordance with Nordtest NT VVS 129 and Sintef Test Method no. 1.

LK PAL Universal Pipe A16 with conduit 25/20 mm (RiR):

The bend radius for conduits that correspond to LK Angle Wall Bracket Grip V2 is tested and approved in accordance with Sintef Test Method no. 1.



Accepterad
monteringsanvisning
2021:1



LK Tappvattensystem är godkänt enligt Nordtestmetoden NT VVS 129.

TABLE OF CONTENTS

Design	1
Installation requirements	2
Installation - Workflow	3
Dimension drawings	5
Environment – recycling	5
Product overview	5

INSTALLATION REQUIREMENTS



NOTE!

When using a LK Angle Wall Bracket Grip V2 for a LK PAL Universal Pipe A with conduit (PiP), the LK Bending Spring Int, RSK 187 68 98, must be used.



NOTE!

When using the wall support, this must be complemented with a nogging piece. The wall support can also be installed in a structure that is tested and approved for fastening, for example to a board structure. See examples of approved structures on the industry site www.sakervatten.se



NOTE!

No water pipes may be placed in uninsulated areas. Pipes must be installed on the structure's hot side, on the inside of the airtight foil.



NOTE!

In bathrooms or shower areas there must be no pipe inlets beyond direct connection of bath or shower mixers and shower arrangements.

Replacement of the LK PE-X Universal Pipe X16 can only take place starting from the angle wall bracket. The installation must be carried out in accordance with the Industry regulations Säker Vatteninstallation (safe water installation) See www.sakervatten.se.

Fixing against a surface



NOTE!

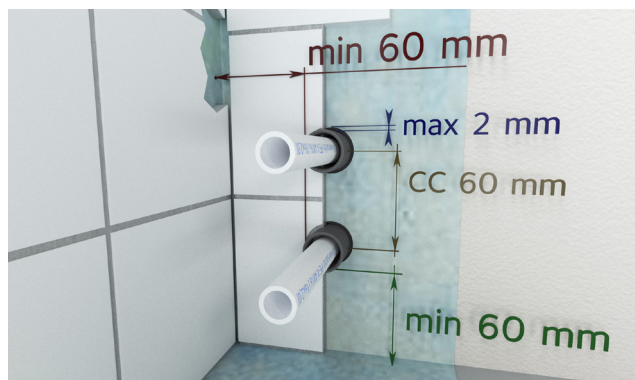
The sealing layer is installed after the angle wall bracket is installed and the pipe lead-through is ready.

The pipe lead-through must be installed and fastened at a right angle against the surface so that movement cannot occur between the sealing layer and other parts. LK Angle wall bracket supports can be mounted in many different building structures. This instruction shows installation in a lightweight wall. Installation can also be done in brick or cast walls.

Preparations for inlets and lead-throughs

Preparations for inlets and lead-throughs with sealing layer and correct distance for pipe lead-through

For pipe lead-throughs in walls, the distance between the sealing layer on adjacent walls or floors and, the pipe lead-through must be at least 60 mm. The distance from the inner ceiling must be at least 100 mm. The distance between pipe lead-throughs in walls for tapwater or heating pipes with a diameter of 25 mm must be at least 60 mm between the centres of the pipes.



Adjusting the angle wall bracket



NOTE!

Check the length requirements for protrusions for pipe connections, and for devices that require longer protrusions.

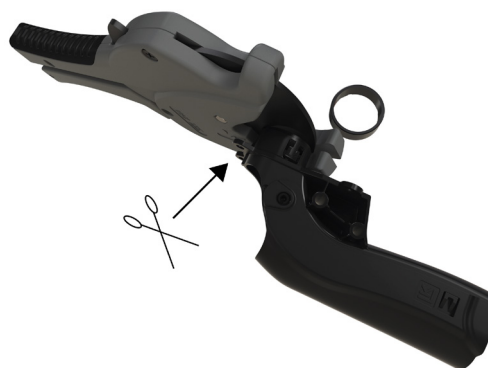


NOTE!

When using a LK Angle Wall Bracket Grip V2 for a LK PAL Universal Pipe A with conduit (PiP), the LK Bending Spring Int, RSK 187 68 98, must be used.

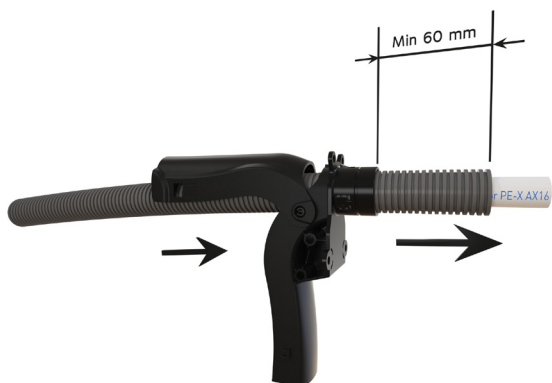
The neck of the angle wall bracket must be adjusted to fit the wall thickness. The angle wall bracket must be flush with the wall washer after adjustment.

1. Cut the neck of the angle wall bracket.

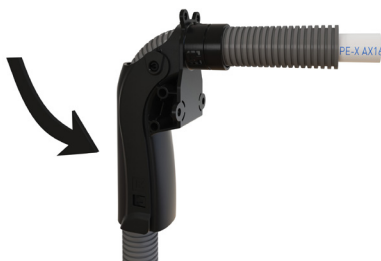


2. Guide the LK Universal Pipe with the conduit into the angle wall bracket so that it protrudes at least 60 mm from the finished wall.





3. Lock the angle wall bracket by pressing down the rear until the clamps on both sides lock.



Install the angle wall bracket on a stud

1. Cut off the fastening ear against the stud.
2. Attach the angle wall bracket to the stud with two screws, e.g. 5x60 mm, not counter-sunk (not included).
3. Secure the conduit 150-300 mm from the angle wall bracket and then with a gap of approx. 600 mm.

INSTALLATION - WORKFLOW



NOTE!

Take care of the placement. Make sure that the wall support or mixer support is not screwed into the angle wall bracket.

Three different installation options

Installation can be done on a nogging piece, on the side of a stud, and on a LK Wall support.

Install the angle wall bracket on a timber nogging

1. Drill a 32 mm hole in the nogging piece.
2. Insert the angle wall bracket into the nogging piece until the screw flange stops.
3. Fasten the angle wall bracket with four screws, e.g. 4.2x19 mm, not countersunk (not included).
4. Secure the conduit 150-300 mm from the angle wall bracket and then with a gap of approx. 600 mm.

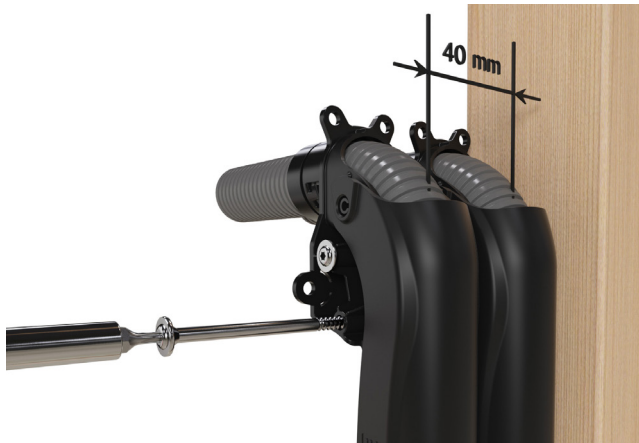
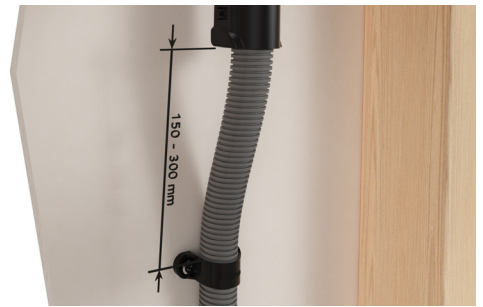


Install two angle wall brackets on a stud

1. Cut off the fastening ear on both angle wall brackets.
2. Attach two angle wall brackets to each

other with pipe outlet 40 c/c. Screw two long screws through the two angle wall brackets and into the stud. Use e.g. 5x100 mm screws, not countersunk (not included)


3. Secure the conduits 150-300 mm from the angle wall brackets and then with a gap of approx. 600 mm.



Attach the LK Angle Wall Bracket ST to the stud

1. Measure, cut and fold up flaps on the LK Angle Wall Bracket ST. Put the LK Angle Wall Bracket ST flush against the studs.
2. Attach the LK Angle Wall Bracket ST with the four screws with sunken heads. Use screws for plaster (with masonry anchors) and for wooden studs.

Installing angle wall bracket on a wall support



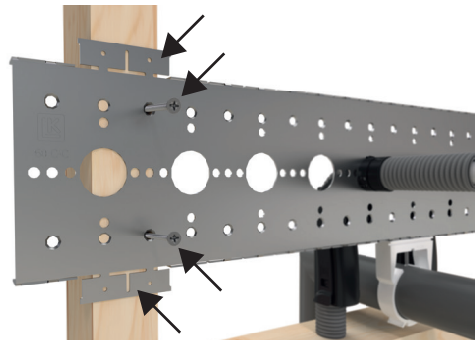
NOTE!
When using a wall support this must be complemented with a nogging piece or alternatively installed on a structure tested and approved for attachment, for example a board structure. See examples of approved structures on the industry site www.sakervatten.se

Attach the angle wall bracket to the stud

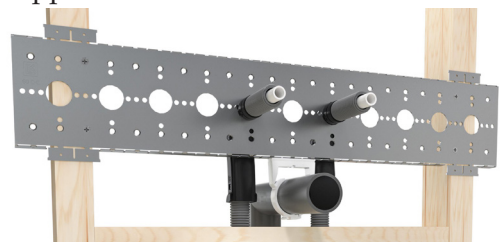
1. Put the angle wall bracket flysh against the stud and insert and fasten the four screws. Use screws for plaster (with masonry anchors) and for wooden studs.
2. Click the angle wall bracket into the wall support so that the three latches lock.



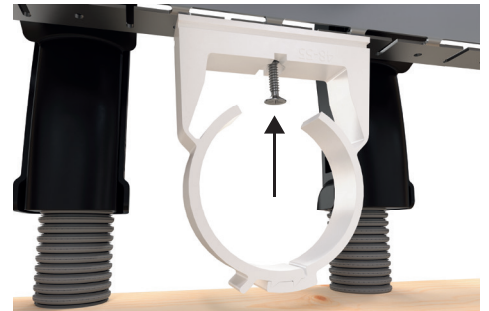
3. Secure the conduit 150-300 mm from the angle wall bracket and then with a gap of approx. 600 mm.



3. Click the angle wall bracket into the wall support so that the three latches lock.



4. Attach the LK Pipe Bracket ST with one screw.



Pressure and tightness check

A pressure and tightness check must be carried out in accordance with the document *Assembly instructions for LK PE-X, PAL and PE-RT pipes*.

Installing the pipe membrane

The pipe membrane is supplied and installed by the waterproofing contractor who is responsible for the waterproof layer's adhesive characteristics in accordance with industry regulations.

If the wall covering is to have a vinyl as an external surface layer, the waterproofing contractor is responsible for installing the sealing layer between the conduit and the vinyl in accordance with industry regulations

LK Pipe Membrane is available for: 1 hole, RSK 481 43 82 (EPDM)



Install the end flange

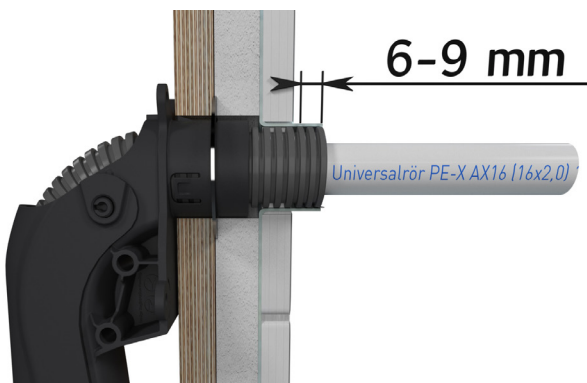
The LK End Flange, plain (RSK 187 22 21), can be used where a wall washer or mixer support is installed. Follow the installation instructions for the mixer support/wall washer.



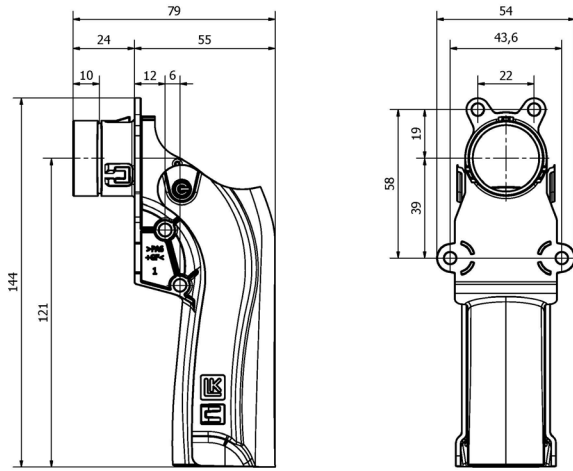
Cut the conduit

TIP! The LK Conduit Cutter 25 (RSK 188 22 07) easily cuts conduits with the dimension of 25 mm.

1. In rooms with sealing layers on walls, measure 6-9 mm from the finished wall and cut the conduit with the conduit cutter.



DIMENSION DRAWING



ENVIRONMENT – RECYCLING

When the angle wall bracket has reached the end of its life, it should be sorted as plastic and combustible and deposited with a recycling centre. Contains fibre-glass.

PRODUCT OVERVIEW

LK Angle wall support*	RSK
LK Angle wall support c/c 150	187 22 30
LK Angle wall support c/c 160 Mini	187 68 99
LK Angle wall support c/c 160	187 22 27
LK Angle wall support c/c 60	188 26 20, 188 26 21
LK Angle wall support c/c 40	187 81 74, 188 25 06
LK Fixture 2 x c/c 60	188 26 18
LK Fixture 2 x c/c 40	187 43 70
LK Angle Wall Support ST c/c 150	188 26 90
LK Angle Wall Support ST c/c 160	188 26 91
LK Angle Wall Support ST c/c 60	188 26 92
LK Angle Wall Support ST c/c 2x60	188 26 93
Screws: Screws with masonry anchors for plaster and wooden studs.	For example: Dahl art.nr 902005, Ahlsell art.nr: 1531629)
Screws: for metal plate studs	For example Dahl art.nr: 430352, Ahlsell art.nr: 472735).
LK Pipe Bracket ST	188 26 94
LK tools for LK Angle Wall Bracket Grip V2	188 26 95

* There are several rails to choose from. Refer to the product catalogue.

The LK Conduit Cutter 25 (RSK 188 22 07) can be used to cut conduits with a dimension of 25 mm.

LK Pipe Membrane is available for: 1 hole, RSK 481 43 82 (EPDM)

