

# LK Adapter Connection for Radiators

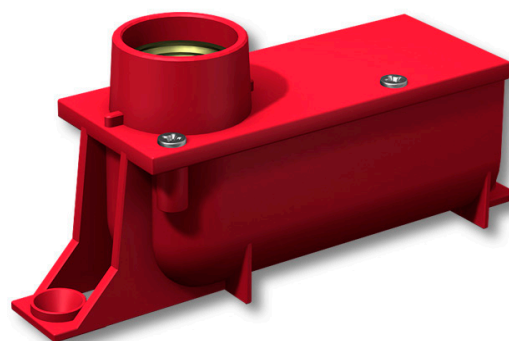
## IMPLEMENTATION

LK Adapter Connection is a coupling box used for transition from LK Universal Pipes X16 to other pipe materials when connecting radiators. The angle fitting in the coupling box is made of brass and has a female 1/2" thread.

LK Adapter Connection is designed for fitting in floors or walls.

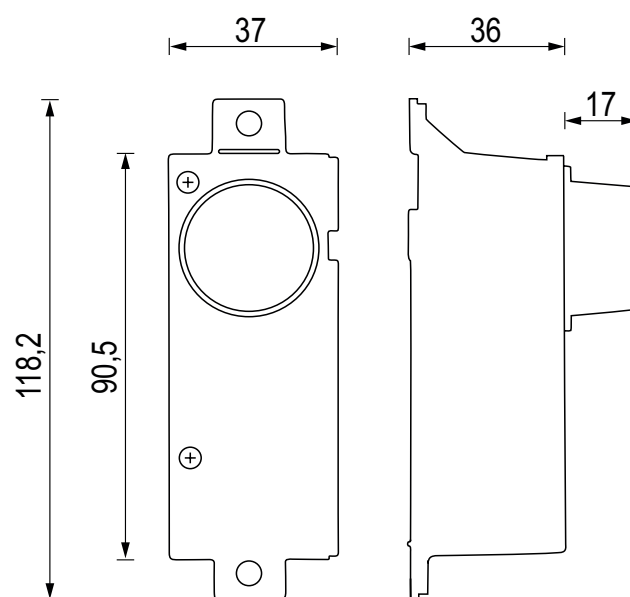
The minimum c/c distance between coupling boxes is 40 mm.

The coupling box is designed for use in wood joists. When installed in radiator systems, the fitting in the coupling box should be protected against direct contact with concrete since this may contain ammonia residues.



Article no. 187 08 10

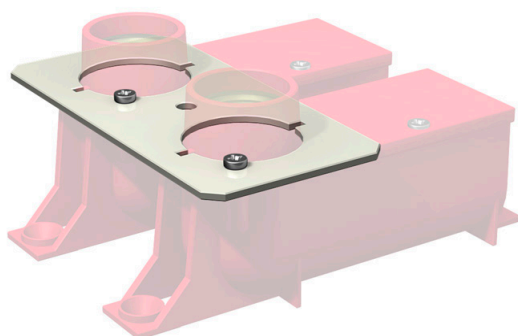
## DIMENSIONAL DRAWING



**Note!**  
Note! LK Adapter Connection must never be installed in tap water systems.

## ACCESSORIES

Accessories include LK Plate for Adapter Connection. This is a fixing plate used for obtaining c/c 40 mm and c/c 50 mm between LK Adapter Connections.



c/c 40 – Article no. 187 08 11

c/c 50 – Article no. 187 08 12



## ASSEMBLY INSTRUCTIONS

1. Remove the two screws fixing the coupling box cover. Fold up the cover so the angle fitting can be removed from the coupling box.



2. Cut the pipe at a right angle with pipe cutters. The pipe should be deburred. Remove the nut and the compression ring from the angle fitting and strap these around the pipe.

Mount the pipe in the angle and make sure that the pipe bottoms in the fitting.

When tightening, the slotted compression ring is clamped together pressing the pipe against the support sleeve making a tight and tension-proof joint.



Tighten  $1\frac{1}{4}$ – $1\frac{1}{2}$  turns with a wrench, until the resistance increases appreciably (25 Nm).

3. Pressure test the fitting according to the assembly instructions for LK PE-X and LK PAL.
4. Fix the coupling box in the building structure.
5. Reinstall the elbow fitting in the coupling box and attach the cover by reinstalling the screws.



If LK Plate for Adapter Connection is to be used, it should be mounted now. The plate is fixed using the upper screw of the coupling box as shown below.



6. Connect the desired thread part in the angle fitting.