

# LK Manifold Qmax 2"

## DESIGN

LK Manifold Qmax 2" is made of stainless steel 316L and intended for use as a manifold in tap water and heating systems with high volume flow. Available with two, three, four or six 1" dia. outlets, the individual distance c/c 100 mm. Various manifold sizes can be combined to provide the required number of outlets.

The Manifold is equipped with LK Ball Valve 2", LK Plug 2" (only for floor heating) and LK Bracket Qmax. LK Manifold Qmax comes with a brass plug 1/4" (for tap water) and a manual air bleed valve (for heating systems), 1/4" connection.

The manifold comes complete packed with the appropriate number of 2" or 1" dia. gaskets plus instructions.

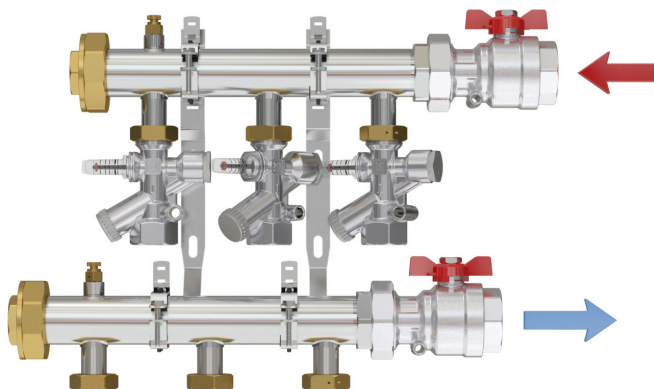
## AREAS OF USE: TAP WATER

LK Manifold Qmax can be used as group manifolds in systems that have a need for a greater flow. The Manifold should be installed to systems with the same pressure and temperature ranges as the Universal Pipes, i.e. max 1.0 MPa at +95°C.

## AREAS OF USE: HEATING

### Group manifold with balancing

The LK Manifold Qmax can be used with group manifolds when several LK Heating Circuit Manifolds need to be connected to the same heat source. LK Manifold Qmax can be supplemented with LK OptiFlow which makes the adjustment / balancing of the flow to each LK Manifold easily done from the same place.



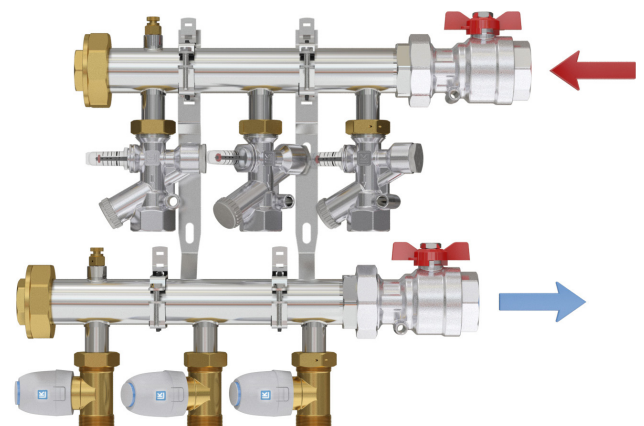
Group Manifold Qmax with LK OptiFlow EVO II adjustment valves.



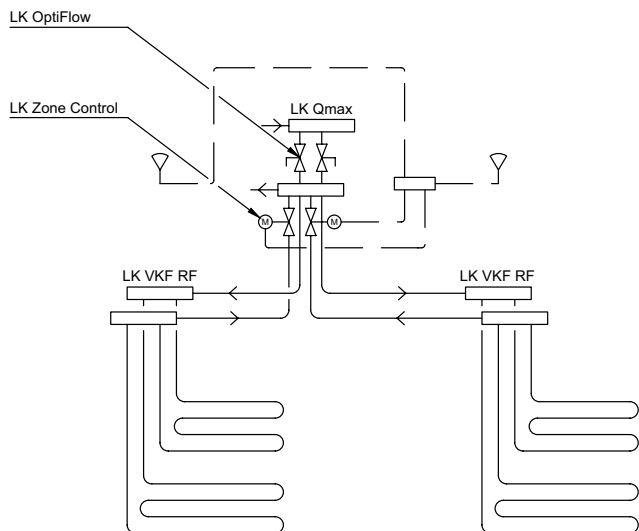
### Group manifolds with balancing and manifold control

All balancing and control valves on systems (referred to as manifold control) with several under floor heating manifolds can be sited at one point in the system.

An LK OptiFlow Evo II plus LK Manifold Control can be added to an LK Manifold Qmax. Manifold control is used for larger temperature zones with dedicated heating circuit manifolds, and when there are more under floor heating circuits than can normally be controlled using LK Room temperature control. See the flow chart below.



LK Qmax with LK OptiFlow EVO II adjustment valve and LK Manifold Control valve.



Flow chart

### Qmax as manifold for ground heating

LK Manifold Qmax can also be used as an indoor manifold for Ground heating installations. An LK Ground Pipe 25 x 2.3 or LK Heating Pipe 20 x 2 can be connected to the manifold. See under the 'Connection Options' diagram for more details.

### LK Manifold Qmax

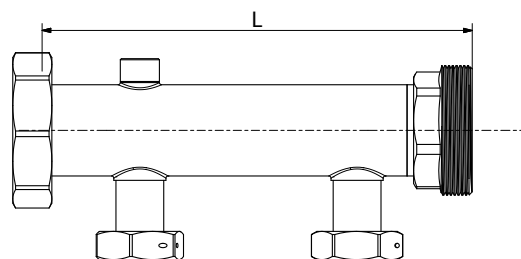
1	Article no. 243 51 68	LK Manifold Qmax 2" 2	L = 198 mm
1	Article no. 243 51 69	LK Manifold Qmax 2" 3	L = 298 mm
1	Article no. 243 51 70	LK Manifold Qmax 2" 4	L = 398 mm
1	Article no. 243 51 71	LK Manifold Qmax 2" 6	L = 598 mm

### THERMOMETER

LK Thermometer Pocket ¼" and LK Thermometer 0-80° C are accessories for the LK Manifold Qmax. The thermometer pocket with thermometer is fitted in the outlet for the manual air bleed valve. That means that the thermometer and pocket should only be fitted when the manifold consists of several modules, otherwise it will not be possible to bleed the installation.

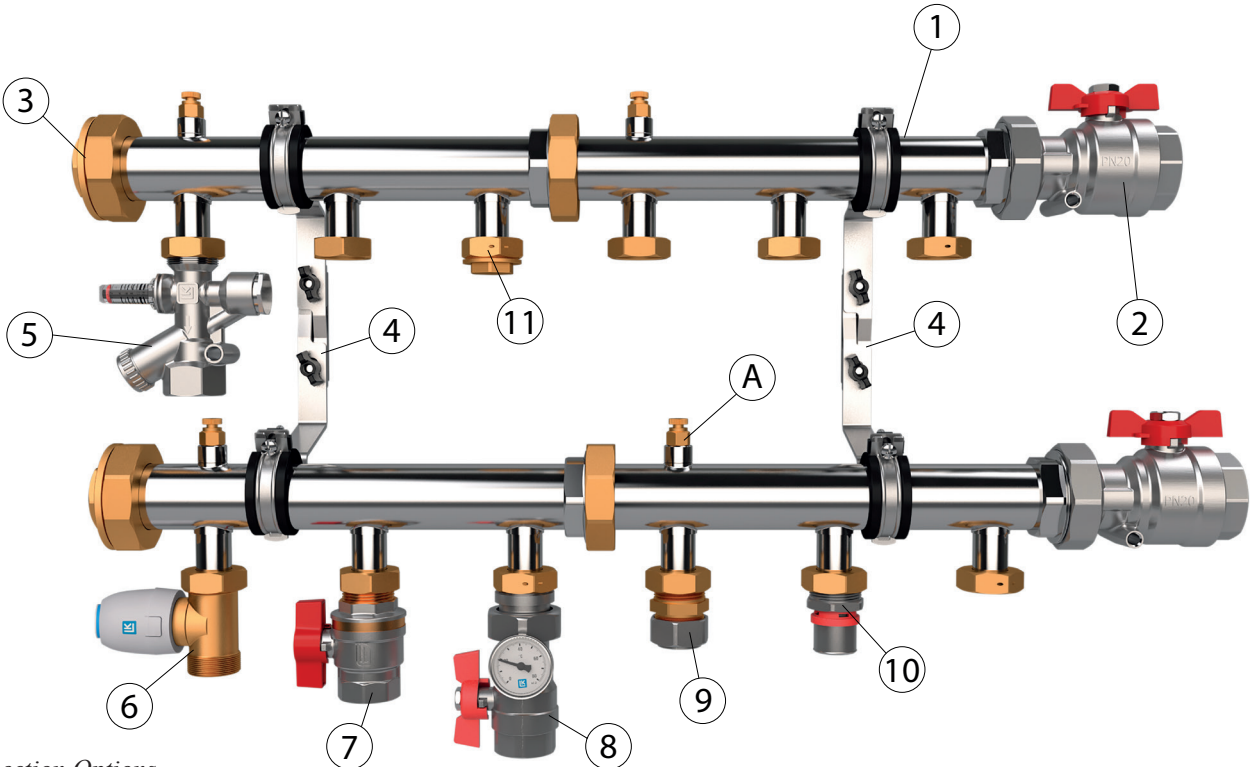
### CONNECTION OPTIONS

The flat-sealed outlets on LK Manifold Qmax are fitted with 1" swivel nuts providing a wide range of connection options. The diagram below shows a selection of the connection options provided.



### Ancillaries

2.	Article no. 243 51 66	LK Ball Valve 2"	Length = 99 mm
3.	Article no. 243 51 67	LK Plug 2"	For plugging Qmax manifolds
4.	Article no. 241 03 16	LK Bracket Qmax 2"	Sold in pairs, i. e. 2 brackets per package
7.	Article no. 241 75 50	LK Ball valve 1"	Length = 69 mm
8.	Article no. 241 89 00	LK Ball Valve with thermometer	Length = 115 mm
9.	Article no. 241 79 32 & Article no. 241 79 48	LK Connection Coupling 20 x 2.0 & LK Nipple 25 x 1"	For connecting LK Under floor Heating Pipe 20 x 2
9.	Article no. 241 79 07 & Article no. 241 79 48	LK Connection Coupling 25 x 2.3 & LK Nipple 25 x 1"	For connecting LK Heating Pipe 25 x 2.3 and LK Ground Heating Pipe 25 x 2.3.
9.	Article no. 241 79 42 & Article no. 241 79 51	LK Connection Coupling 32 x 2.9 & LK Nipple 32 x 1"	For connecting LK Heating Pipe 32 x 2.9
10.	Article no. 241 70 42	LK Press Fitting PV 25 x 1"	For connecting LK Heating Pipe 25 x 2.3 and LK Ground Heating Pipe 25 x 2.3.
10.	Article no. 187 65 11	LK Press Fitting PV 32 x 1"	For connecting LK Heating Pipe 32 x 2.9
11.	Article no. 187 56 98	LK Plug 1"	For plugging unused outlets
A.	The supplied air bleed valve should be installed when used in heating systems. As an alternative, the air bleed valve can be replaced by LK Thermometer Pocket (33920) and LK Thermometer 0-80°C (243 47 47). The supplied plug should be installed when used in tap water systems.		Note requirement for air bleeding in heating systems.



Connection Options

LK Adjustment Valve

5.	Article no. 241 96 11	LK OptiFlow Evo II 2-16 l/min 1" in/out	Length = 99 mm
5.	Article no. 241 96 10	LK OptiFlow Evo II 4-36 l/min 1" in/out	Length = 99 mm

LK Zone Control

6	Article no. 241 98 96	LK Zone Control, 2-way 24V AC, 1"
6.	Article no. 241 98 98	LK Zone Control, 2-way 24V, 0-10V DC, 1"

DIMENSION SKETCH

