

LK Mini Manifold

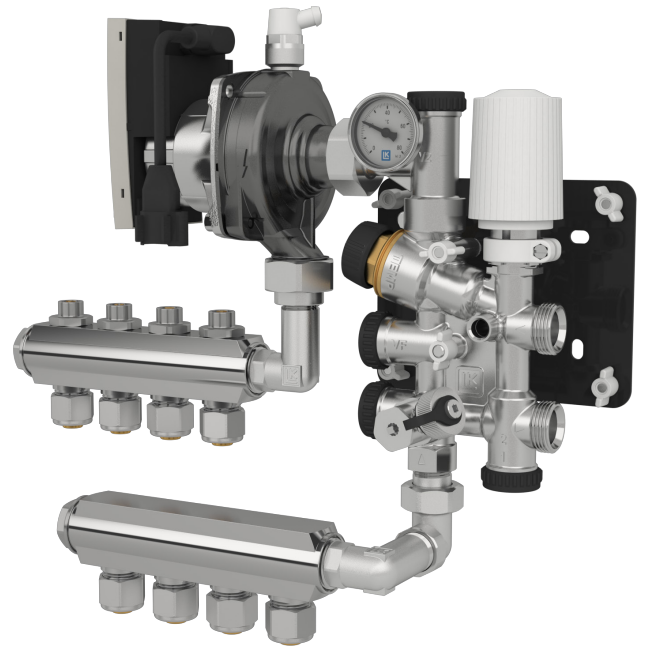
For the connection of 2 - 4 under floor heating circuits to LK Minishunt M60n.

DESIGN

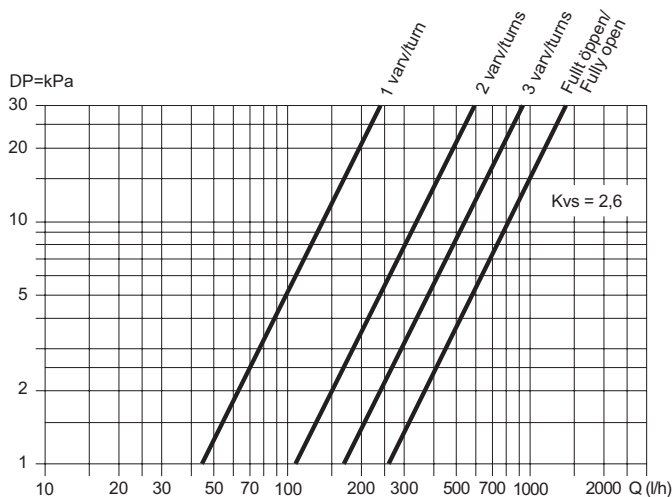
LK Mini Manifold is made of high-quality brass and is composed of 2 manifold bodies, one of which is fitted with adjustment valves.

The Mini Manifolds are sold with connection couplings for LK Under Floor Heating pipes $\text{Ø} 12 \times 2 \text{ mm}$ or $\text{Ø} 16 \times 2 \text{ mm}$, $\text{Ø} 20 \times 2 \text{ mm}$ or LK PE-X or PAL Pipes dim $\text{Ø} 16 \times 2 / 16 \times 2,2 \text{ mm}$. Necessary couplings for connection to LK Minishunt M60n are included. Manifolds fitted with adjustment valves are connected to the pump side of the minishunt.

System descriptions: see instructions for LK Minishunt M60n.



LK Mini Manifold assembled to LK Minishunt M60.



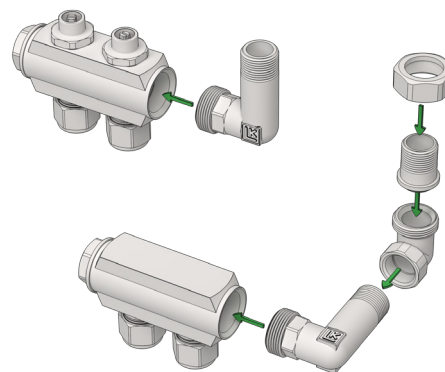
The adjustment value is given in a number of opening revolutions from closed position.

ORDER OF ASSEMBLY

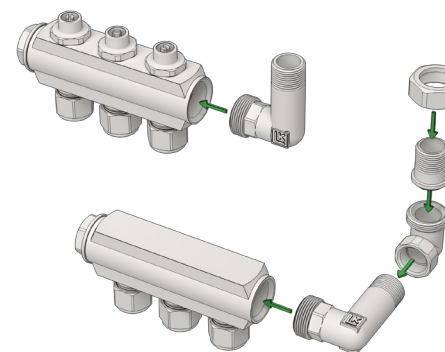
The assembly design of the LK Mini Manifold depends on the size of the manifold and whether the LK Thermostat Valve Kit Mini is to be used.

When connecting four LK Thermostat Valve Kit Mini, the included extension pipe must be used. The extension pipe moves down the manifold pipe giving enough installation space for all the actuators.

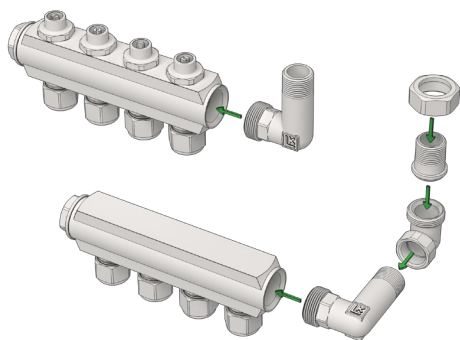
The various assembly orders are described below.



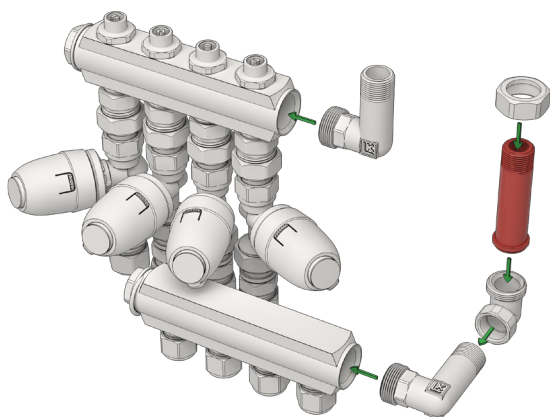
Assembly of connection pipe to LK Mini Manifold 2 circuits.



Assembly of connection pipe to LK Mini Manifold 3 circuits.



Assembly of connection pipe to LK Mini Manifold 4 circuits.



Assembly of connection pipe to LK Mini Manifold 4 circuits and LK Thermostat Valve Kit Mini with extension pipe (displayed in red).

PIPE CONNECTION

Adjust the pipe length to match the height/location of the mini manifold and assemble connection coupling as outlined. Grease the olive (clamping ring) before tightening.

Note! The O-rings should not be greased. Cut the pipe square using purpose designed LK Pipe cutters for a straight cut. After a pressure testing and hot water testing operation with heat, the couplings must be retightened.



LK THERMOSTAT VALVE KIT MINI (ACCESSORIES)

LK Mini Manifold Ø 12 and 16 can be equipped with LK Thermostat Valve Kit Mini that is used for the individual control of respective floor heating circuit. The assembly kit includes a LK Thermostat Valve Mini ½", a LK Actuator 24V NO/NC, a Nipple connection ½" for the Mini Manifold 12 or 16, as well as a pipe connection coupling 12 or 16.



Four LK Thermostat Valve Kit Mini mounted on LK Mini Manifold.

The actuator is controlled via a LK Room Thermostat of wired or wireless design. Wiring must always be performed with the help of a LK Connection Box or a LK Receiver Unit.



Example of a complete assembly with LK Minishunt, LK Mini Manifold, LK Thermostat Valve Kit Mini in LK Minishunt Cabinet XL.