

LK Manifold Cabinet UNI, LK Prefab Cabinet UNI

SCOPE

These assembly instructions are intended for use with the LK Manifold Cabinet UNI and LK Prefab cabinet UNI. Installation must be carried out in accordance with Industry Regulations for Safe Water Installation.

LK MANIFOLD CABINET UNI

The cabinets are designed to be installed into a wall or ceiling or externally on a wall.

LK PREFAB CABINET UNI

In the Prefab design, the LK Manifold Cabinet UNI is delivered with a preassembled manifold, isolation valves and cabinet pipe inlets. The cabinet is available in several different designs with different types of manifold. The cabinet is assembled in accordance with the instructions below, with the exception of the assembly of the parts that are preassembled.

LK FRAME/HATCH UNI INB

Used with the LK Manifold Cabinet UNI when these cabinets are installed in walls. Frame/hatch which has a flared frame to cover the holes around the cabinet.

LK FRAME/HATCH UNI UTV

Used with the LK Manifold Cabinet UNI when these cabinets are installed outside on the wall. Frame/hatch ends edge-to-edge with the outsides of the cabinet.

LK BASE UNI

Complement to LK Frame/hatch UNI UTV that hides the pipe installation between the cabinet and the floor. Consider adjustment of height of LK Base UNI. However, the base does not fit UNI 550 L and XL.

LK FRAME/HATCH UNI CEILING

Used with the LK Manifold Cabinet UNI when these cabinets are installed in ceilings. Frame/hatch which has a flared frame to cover the holes around the cabinet.

LK FIRE HATCH UNI

Used with the LK Manifold Cabinet UNI when these cabinets are installed in EI60 fire rated walls. Frame/hatch has a flared frame to cover the holes around the cabinet. This product requires more space inside the wall, refer to separate assembly instructions.

LK WRT ZONE HATCH PRESEAL

In rooms with sealing layers on walls, the LK Manifold Cabinet is complemented with LK Wet Zone Hatch PRESEAL that is connected to the sealing layer of the wall. Service opening (wet zone hatch) must not be located in the place for a bath or shower. This product requires more space inside the wall, refer to separate assembly instructions.

LK HATCH HIDDEN

Frame with hatch that has a plaster surface. The hatch can be wallpapered or painted in the same color as the wall. This product requires more wall space. See the assembly instructions for the product.



LK Manifold Cabinet UNI LK Prefab Cabinet UNI-Valve



LK Prefab Cabinet UNI LK Prefab Cabinet UNI Push



Accepterad
monteringsanvisning
2021:1


TABLE OF CONTENTS

Design	1
Installation requirements	2
Supplied with the product	3
Working procedure	4
Installation aids	10
Replacement of pipes	11
Products	11
Other products	11
Dimension drawings	11



INSTALLATION REQUIREMENTS

Electrical protective equalization

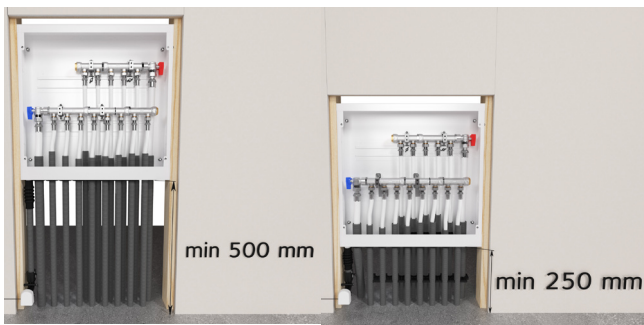


NOTE!
If electrical devices are to be mounted in installation cabinets where metal pipes, such as copper pipes, are drawn in and out, the metal pipes must be provided with an electrical protective equalization.

A qualified electrician must ensure that electrical protective equalization is ensured.

Assembly - Installation height

If the design of the structure does not allow the pipes to be fitted at right angles for lower installations, the base of the cabinet must be placed at least 500 mm above the top of the upper edge of the floor joist. To facilitate fixing at right angles, the LK Fixing Plate RiR 25 is installed 50-150 mm under the cabinet. However, the cabinet must be installed at least 250 mm above the floor so that there is enough space for the drainage pipe.



Example installation height without and with fixing plate.

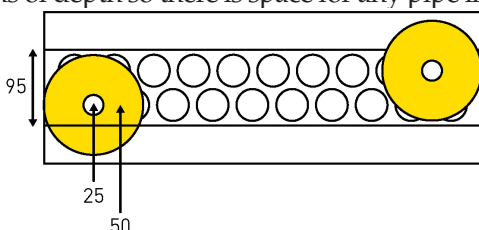
For installation externally on an inner wall, the cabinet should be placed 250 (± 25) mm above the completed floor to provide space for the LK Base.

Manifold location

Manifolds in manifold cabinets for tap water must be installed at a lower level than the outlets they serve. If this is not possible, a seal must be established between the conduit and the media pipe at the outlet, e.g. for a kitchen connection.

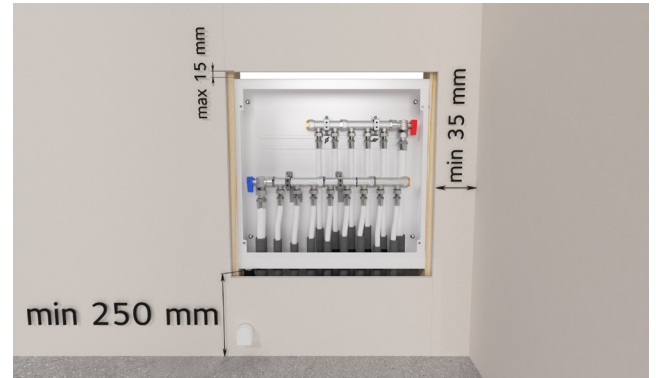
Wall installation

For installation to a stud wall, the minimum stud-frame thickness required is 95 mm for UNI cabinets, 120 mm for UNI 550 L and 145 mm for UNI 550 XL and 70 mm for LK Fitting Cabinet 250X250. Position the cabinet correctly in terms of depth so there is space for any pipe insulation.



Example, installation with insulation on feed pipe.

When installing the cabinet on a stud wall, a gap of at least 35 mm must be provided from the outside of the cabinet to the connecting wall so that there is room for LK Frame/hatch UNI INB. *For assembly with PRESEAL, a distance from the outside of the cabinet to the connecting wall of at least 110 mm is required for the LK Raml door UNI INB to fit.*



Stud wall installation. Note! Wallboard must be cut edge to edge towards the manifold cabinet.

Installation in a fire cell separation wall with LK Fire Hatch UNI


When the cabinet is installed in a fire cell separation wall, the front edge of the cabinet must be positioned min. 70 mm from the outside of the finished wall. See separate assembly instructions.

Installation in room with seal layer on wall with LK Wet Zone Hatch PRESEAL

When the cabinet is installed with an opening in a room with seal layer on wall, the LK Wet Zone Hatch PRESEAL is used. The front edge of the cabinet must be positioned min. 65 mm from the outside of the finished wall. See separate assembly instructions.

Installation with LK Hatch HIDDEN

The HIDDEN hatch can be fitted with one or more wall boards, which affects the depth of the position of the cabinet and the thickness of the wall stud. See the installation instructions for LK Hatch HIDDEN.



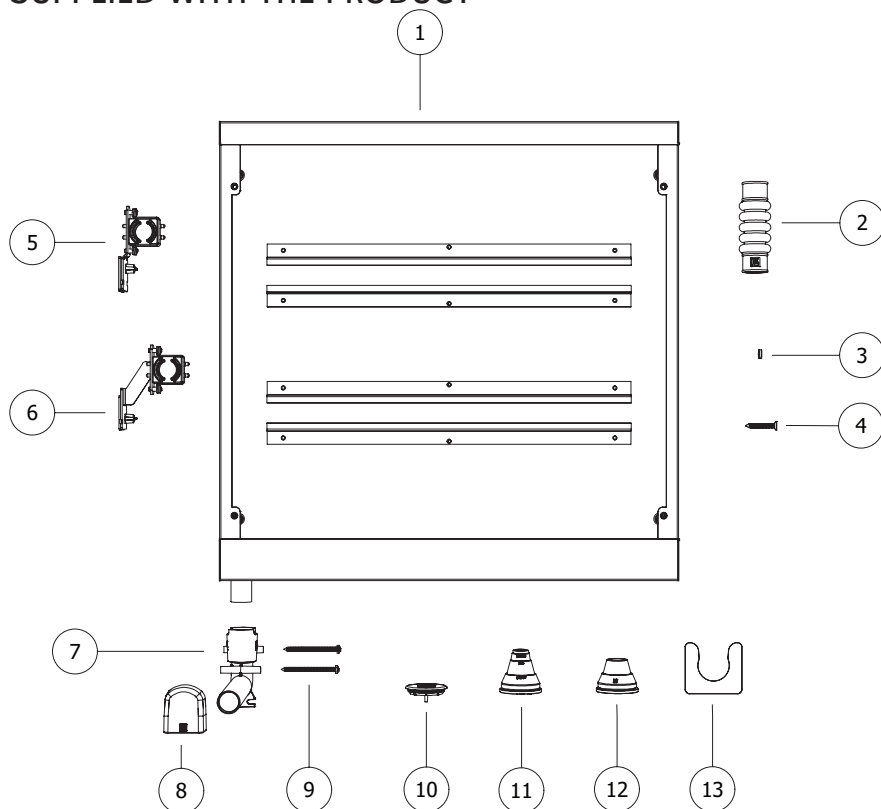
NOTE!
Service opening must not be located in the place for a bath or shower.



No service opening must be positioned in places for a bath or shower.



SUPPLIED WITH THE PRODUCT



No.	Designation	Quantity	Art. no.
1	Manifold Cabinet	1 pc.	188 13 13-16, 187 58 27-28, 188 23 40-41, 29 733, 188 26 78
2	Bellow Sleeve 25 LP	1 pc.	188 27 42
3	Seal for wood screws	4 pcs.	29490
4	Wood screws (5 x 35 mm)	4 pcs.	29489
5	Manifold bracket UNI-cabinet low	2 pcs.	188 22 04 (not applicable to L & XL)
6	Manifold bracket UNI-cabinet high	2 pcs.	188 22 05 (not applicable to L & XL)
5.6	Bracket bag UNI - L	1 pc.	29927
5.6	Bracket bag UNI - XL	1 pc.	29928
7	Drainage elbow V2	1 pc.	incl. in package 188 26 11
8	Outlet plate White V2	1 pc.	188 26 13
9	Installation screw, drainage elbow (4.2 x 65 mm)	2 pcs.	incl. in package 188 26 11
10	Sealing plug, black 40 LP	12 pcs. (350) 16 pcs. (450) 20 pcs. (550) 26 pcs. (700)	188 27 21 (pack of 10)
11	Pipe inlet 20-25 LP	Ordered separately	188 27 23
12	Pipe inlet for conduit 25 LP	Ordered separately	188 27 22
13	Replacement plate pipe inlet	1 pc.	29658
	Splash protection 533x200	2 pcs. (350) 1 pc. (450) 1 pc. (550)	188 24 10
	Splash protection 533x400	1 pc. (450) 1 pc. (550) 2 pcs. (700)	188 24 09



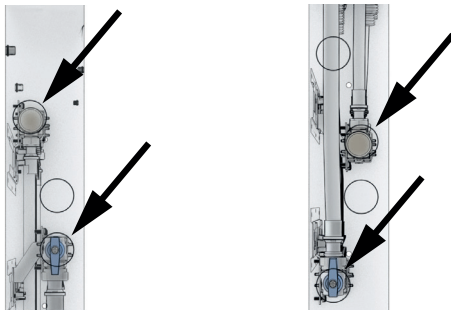
PLACEMENT

The cabinet must not be moved from its original position more than +/- 20 mm in relation to the pipe installation.

WORKFLOW

1 - Knockout

If the feed is coming from the right or left side, see the arrows in the diagram below in order to select the right knock-out hole depending on whether the coupling pipes are to be connected from below or above. Knock out the knock-out hole using a hammer.

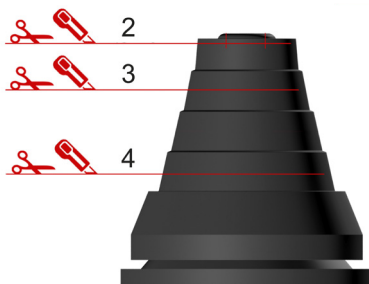


Coupling pipes from below and above.

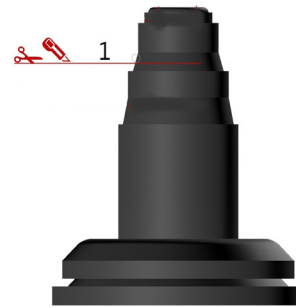
Cold water feed to the cabinet should come in to the left side and feed the lower manifold, and hot water is to be installed on the right side, feeding the upper manifold. For heating systems, the supply pipe is laid on the left side in the cabinet and supplies the lower manifold, and the return pipe is drawn on the right side and supplies the upper manifold.

2 - Prepare pipe inlets

Prepare a LK Pipe Inlet for feeding pipes and coupling pipes by adapting/cutting inlets to the correct dimensions, see table. LK Pipe Inlet 25 conduit, which is precut and adapted to 25 mm conduit, is available as an alternative. Pipe inlets are ordered separately.



Cutting of a LK Pipe Inlet 20-25 mm.



Cutting of a 16mm LK Pipe Inlet inlet.



Cutting of a 32-50mm LK Pipe Inlet. Used for specially ordered shaft bottom.

Cutting level	Dim. Pipes	Dim. Conduit (PiP)
1	Ø16	-
2	Ø20	-
3	Ø25	Ø25
4	Ø32	Ø34
5	Ø40	-
6	Ø50	-

Table cutting instructions.

NOTE!
If the seal is damaged while being cut, it must be replaced with a new one.

3 - Assemble the pipe inlets and sealing plugs

Mount the pipe inlets and the LK Sealing Plug before the cabinet is to be installed in its final location. Pay particular attention during the installation of pipe inlets and sealing plugs so the cabinet base is sealed.

Plug the holes in the base that are not being used with the LK Sealing Plug. Mount these so that the LK Logo can be seen inside the cabinet.





Mount pipe inlets and sealing plugs.

4a - Mount the cabinet to the wall

If the design of the structure does not allow the pipes to be fitted at right angles for lower installations, the base of the cabinet must be placed at least 500 mm above the top of the upper edge of the floor joist. Fix the manifold cabinet in the building framework structure through the holes in the sides or back. For timber stud constructions, use the screws and sealing plates supplied. Seal unused holes in the cabinet when attachment is complete. The cabinet can also be fixed using the LK Leg Stand or LK Flexilegs. See under *Installation aids*.



Mounting cabinet on a stud wall.

NOTE! The cabinet should never be installed further out than edge to edge with the stud-frame, so that the Frame/hatch INB can be installed.

If LK Fire Hatch UNI is to be installed, the cabinet is to be installed at least 70 mm from the front edge of the cabinet to the outside of the finished wall. If LK Wet Zone Hatch PRESEAL is to be installed, the cabinet must be at least 65 mm from the front edge of the cabinet to the outside of the finished wall. The HIDDEN hatch can be mounted with one or more wall panels which affects the position of the cabinet in depth and of the wall rule thickness. See the installation instructions for LK Hatch HIDDEN. If the cabinet is placed on an outer wall, it should be installed on the warm side of the construction, inside the airtight foil.

4b - Mounting a surface-mounted cabinet

Secure the manifold cabinet to the building structure using an appropriate screw and the sealing washer supplied. Note that there must be no pipe inlets in floors with sealing layers except for drains and floor drains.

4c - Installing the cabinet in the ceiling

Secure the manifold cabinet to the building structure in an appropriate manner, e.g. by securing suspended support M8 to the back of the cabinet.

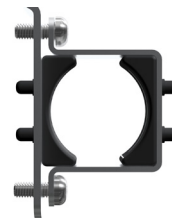
To meet *NT Heating, ventilation and sanitary 129*, only one layer of plaster or a ceiling panel can be applied between the cabinet and the frame. This is so that any water leaking out can escape quickly through the drainage holes in the hatch.

5 - Brackets

The bracket is adapted for LK Manifold UNI G20 and pipe dimension 20-22 mm. If LK Manifold UNI G25 is to be used, a rubber inlay must be removed.



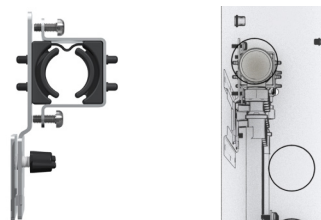
Bracket adapted for LK Manifold UNI 3/4" and pipe dimension 20-22 mm.



Bracket adapted for LK Manifold UNI 1".

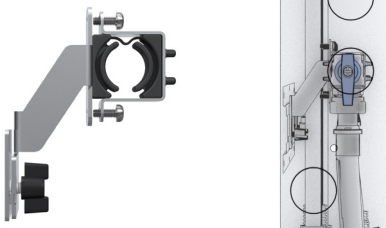
6 - Bracket location

Manifold bracket UNI-cabinet low is used for the upper manifold when coupling pipes are laid downwards, or for the lower manifold if coupling pipes are laid upwards.



Manifold bracket UNI-cabinet low.

Manifold bracket UNI-cabinet high is used for the lower manifold when coupling pipes are laid downwards, or for the lower manifold if coupling pipes are laid upwards.

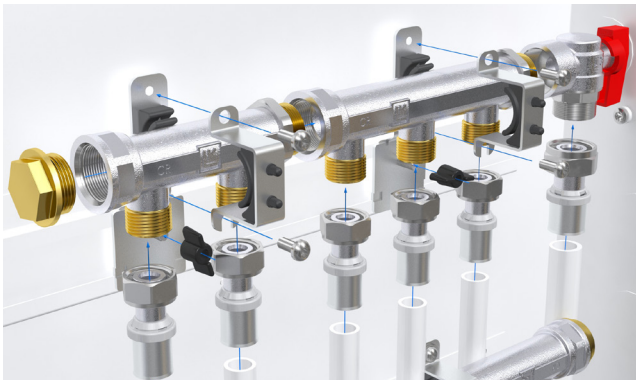


Manifold bracket UNI-cabinet high.

Fit the manifold brackets low 2 pcs. and high 2 pcs. to the cabinet's rails. If more brackets are needed, these can be ordered as spare parts. Extra bracket pouches are also available for UNI L and UNI XL.

7 - Mount the manifold

To install the manifold in the brackets, use the self-tapping screw supplied (T25), which attaches the rubber-coated clip to the bracket. When the manifold is in place, all screws can be tightened. When the manifold is fitted, lock the brackets through tightening the wing nut against the rail.

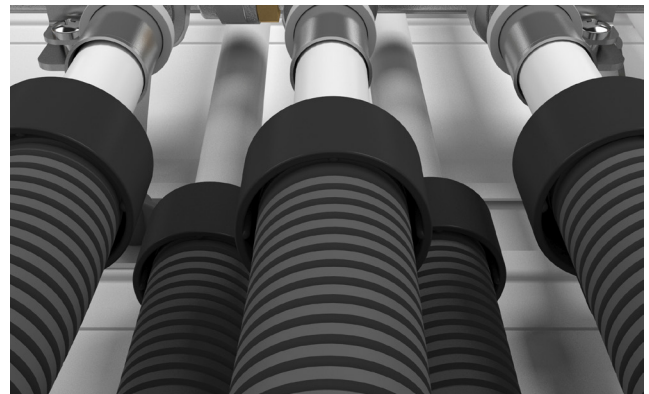


Installing a manifold

8 - Installing pipes

Pipe and conduit are then drawn up through the pipe inlet. The conduit is drawn in approx. 60 mm above the base of the cabinet,. This step can be made easier if the pipe is lubricated with soapy water or similar. Cut-and deburr the pipe and connect it to the manifold according to the assembly instructions for each type of coupling.

Draw the coupling on the manifold into the LK Prefab Cabinet. Check that the O-ring in the pipe inlet, if one is fitted, is located in a dip in the corrected conduit. It is important to insert the pipes straight at right angles to the cabinet to ensure the base is sealed. Then secure the conduits using LK Fixing Plate or fix in some other way to ensure the pipe right angle rise.




Assembly of LK Conduit umbrella LP.

The LK Conduit Umbrella LP or an equivalent solution in a manifold cabinet installed in a wall should be mounted on pipes in pipes (PIP) for tap water and heating systems so that any leaking water can be led out on the bottom of the shaft. In cases where the tap point's conduit pipe termination is at a lower level than that in the manifold cabinet, it can be sealed between the conduit pipe and the medium pipe at the tap point with e.g. LK End Protection PIP. On feeding with pipe in pipe (PIP), the dimension of the LK Sealing socket must be adapted to the dimension of the pipes and used as a conduit umbrella. The LK Conduit Umbrella is mounted on the media pipe and pressed down against the conduit pipe.

9 - Pressure and tightness check

Pressure and tightness check must be carried out in accordance with "Assembly instructions for LK PE-X, PAL and PE-RT pipes" or according to industry regulations on "Safe water installation".



NOTE!
A pressure and tightness check should be carried out before the wall covering is to be installed.

10 - LK Manifold Cabinet UNI 250x250 and 350x350

LK Manifold Cabinet can be installed as an installation cabinet with manifold according to this instruction, but it can also be used for outdoor faucets for hot and cold water. The cabinet then has to be mounted on the warm side of the wall if it is placed on an outer wall.

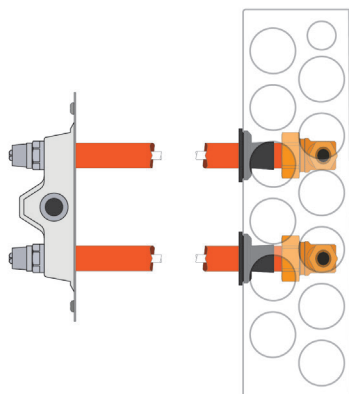
Knock out the knock-out hole in the back using a hammer. Adjust the outdoor faucet pipe lengths as per their instructions. Install the inlets on the outdoor faucet pipes supplied.

Connect the conduit with the bellow sleeve to the cabinet drainage pipe and lay it to a space with a floor drain or watertight flooring. The bellow sleeve must



not be kinked as this could prevent the flow of any water leakage. Then connect the drainage elbow to the conduit. Note that the pipe must be pushed all the way into the drainage elbow, approximately 20 mm deep. Mount the drainage elbow to a wall stud in a suitable position. Insert the two installation screws supplied in any of the fixing holes. Ensure that the conduit is installed with a fall towards the outlet and that the conduit is secured.

Alternatively, if the cabinet is located in a room with no floor drain, the drainage for the cabinet must be sealed using an LK Bottom Plug so that any leakage is fed back to the manifold cabinet. **NOTE!** The lower edge of the coupling cabinet must be fitted at least 200 mm higher than the lower edge of the manifold cabinet. The pipe inlets for the outdoor faucet feed are fitted with the conduit seal facing down so that the leakage water can run back into the conduit towards the manifold cabinet.



Outdoor faucet with hot and cold water, fitted with inlets and couplings.

11 - Installing cabinet drainage

Drainage outlets from cabinets with tap water installation must always run off in an area with waterproof flooring.

Exception: Cabinets that are placed in stairwells may have leakage indication that open into the stairwell on a watertight or waterproof floor. The exception does not apply to a single residence building.

Drainage outlets from cabinets in heating system installations can run off from the wall surface under the cabinet in rooms normally in use to detect any leakage.

For pipe inlets in walls, the distance between the pipe and the adjacent wall or the floor's waterproofing layer must be at least 60 mm. Leakage indication sensors must not be fitted in bathrooms or shower areas.

There are several ways to install the drainage elbow:

11a - Drainage elbow directly joined to the cabinet's outlet drainage

Drainage run off from the wall surface under the cabinet. Connect the drainage elbow directly to the cabinet outlet pipe after all pipe inlets and sealing plugs have been installed.

Affix the drainage elbow to a wall stud in a suitable position. Insert the two installation screws supplied in any of the fixing holes.

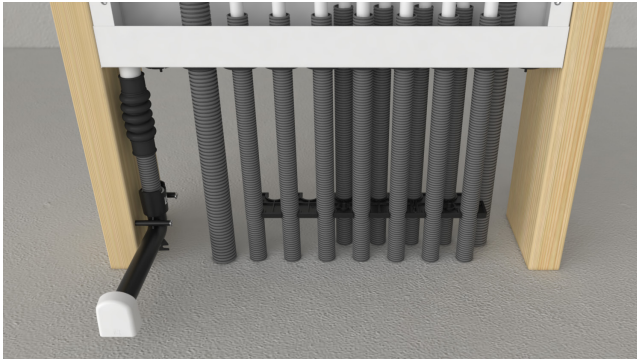
For cabinets mounted externally on the wall, the drainage elbow opens out into the pre-drilled hole in the base.



A drainage elbow directly connected to the cabinet's outlet pipe will drain into the same room as the cabinet's service hatch or, alternatively, the room behind.

11b - Drainage elbow connected via conduit

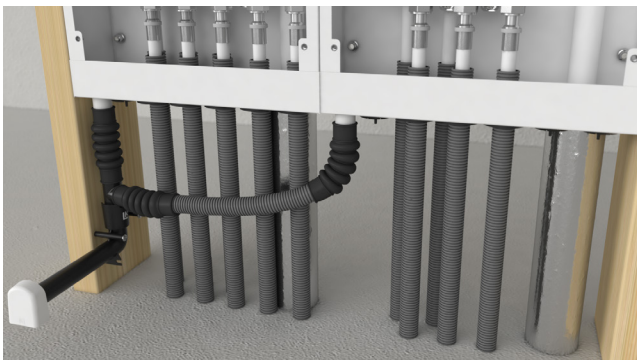
Connect the conduit to the cabinet's drainage pipe using the bellow sleeve. The bellow sleeve must not be kinked as this could prevent the flow of any water leakage. Then connect the drainage elbow to the conduit. Note that the pipe must be pushed all the way into the drainage elbow, approximately 20 mm deep. Mount the drainage elbow to a wall stud in a suitable position. Insert the two installation screws supplied in any of the fixing holes. Ensure that the conduit is installed with a fall in its entire length towards the outlet and that the conduit is secured.



Drainage elbow connected via a conduit.

11c - Coupling of drainage pipes

It is possible to connect drainage pipes from two cabinets. The illustration below shows side-by-side installation but drainage pipes can also be connected when the cabinets are mounted further apart. Use the LK Drainage Kit 25 Duo. Mount the drainage elbow to a wall stud in a suitable position. Use the two installation screws supplied for the fixing holes. Ensure that the entire conduit is installed with a fall in its entire length towards the outlet and that the conduit is secured.



Connecting drainage pipes

12 - Installation of outlet plate

Install a wall panel with a hole for the drainage elbow outlet pipe. Hole diameter approx. 26 mm. Apply any waterproofing layer as per the instructions from the waterproofing supplier. Although LK Systems can supply the LK Pipe Membrane, the waterproofing contractor should carry out the installation and be responsible for the adhesive characteristics of the waterproofing layer in accordance with industry regulations issued by the Swedish Ceramic Tile Council (BBV), Swedish Flooring Trade Association Wet Room Control (GVK) or the Swedish Painting Industry Wet Room Control (MVK).

Upon completing installation of the wall covering, the length of the drainage elbow must be cut down using the LK Pipe Mill DB. Alternatively, the drainage elbow can be cut to a suitable length using a tool such as a hacksaw blade. Take care to not damage the surface layer. Leave 2-3 mm of the outlet pipe protruding from the surface of the wall. In rooms with sealing layers on walls, leave 6-9 mm.

Fit the LK Outlet Plate V2 to the outlet pipe. The LK Outlet Plate V2 Chrome is available as an accessory for a more stylish finish.

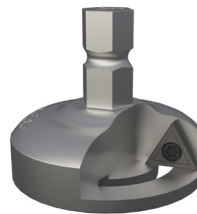


Installing the LK Outlet Plate V2.

ACCESSORIES



LK Outlet Plate V2 Chrome, article no. 188 26 14.



LK Pipe Mill V2 1882615.

13 - Installation of splash protection

Install the splash protection supplied. Take care to ensure that the guards protrude at the side so that the entire width of the cabinet is covered by the guards. Should be fitted during construction work in order to prevent dirt and dust getting into the cabinet. The splash protection is what makes the cabinet safe from water damage, and it must always be mounted.



NOTE!

In the case of roof mounting, splash protection must NOT be installed in the cabinet as drainage must take place through drainage holes in hatch.



14 - Installation of frame/hatch

There are five types of frame/hatch to choose from depending on how the cabinet is installed. On delivery the hatch is fitted with a screwdriver lock, and which is available as an accessory though an LK Key Lock (not for LK Fire Hatch UNI or LK Tile Bar Design Preseal). In environments with high moisture levels and/or chemicals, e.g. animal stables, baths or washing locations, LK offers specially made frames/hatches with greater resistance to corrosion, contact LK for more information.

14a - Installation of frame/hatch UNI INB

When the cabinet is fitted into a wall, use an LK Frame/hatch UNI INB, which has a flared frame to cover the holes around the cabinet. The frame covers an area 15 mm beyond the edges of the cabinet.

Fit LK Frame/hatch with the screws supplied. If the cabinet is installed as far into the wall that the screws provided do not suffice, these can be replaced with longer M5 screws (not in the LK standard range)



LK Frame/hatch UNI INB LK Frame/hatch UNI UTV

14b - Installation of frame/hatch UNI UTV

When the cabinet is installed externally on a wall, use LK Frame/hatch UNI UTV which ends edge-to-edge with the outsides of the cabinet.

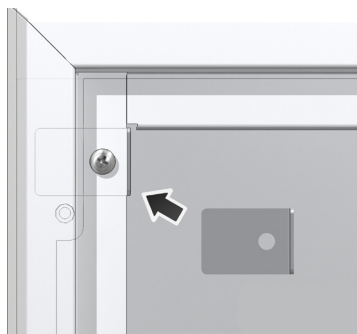


Plate and screws for LK Frame/hatch UNI UTV.

Install the frame using the screws and mounting plate provided. See picture above. Mount the four white cover plugs on the ends of the cabinet.

14c - Installation of frame/hatch UNI TAK

This product is only available for manifold cabinets UNI 350 and 550. When the cabinet is built into the ceiling, LK Frame/hatch UNI TAK is used which has a precipitating frame in order to cover the hole around the cabinet. The frame covers an area of 15 mm beyond the edge of the cabinet. The following applies to tap water installation: when the leakage indication occurs through the holes in the door, the cabinet must be placed in a space with a waterproof floor. To meet NT Heating, ventilation and sanitary 129, only one layer of plaster or a ceiling panel can be applied between the cabinet and the frame.

Fit LK Frame/hatch with the screws supplied. Fit the red plastic plug supplied in the drainage hole on the UNI cabinet (installed from inside the cabinet).



NOTE!

With ceiling mounting, the splash protection shall NOT be fitted in the cabinet as drainage shall take place through drainage hole in the hatch.

14d - Fitting a Fire hatch UNI

When LK Fire hatch is to be installed, this product requires more space on the wall. Mount LK Fire Hatch UNI as indicated in the enclosed instructions for the product.

14e - Installation of LK Wet Zone Hatch PRESEAL

When LK Wet Zone Hatch PRESEAL is to be installed, this product requires more space on the wall. Install LK Wet Zone Hatch PRESEAL as indicated in the enclosed instructions for the product.

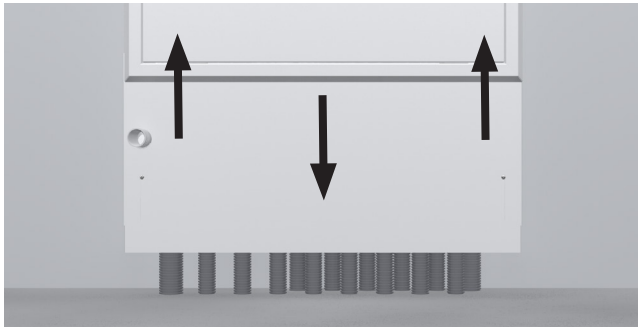
14 f - Installation of LK Hatch HIDDEN

When the LK Hatch HIDDEN is to be installed, this product requires more space in the wall. Mount LK Hatch HIDDEN according to the product's attached instructions.

15 - Installation of base

The height of the LK Base can be adjusted between 231-291 mm. For the external installation of the LK Manifold Cabinet UNI, mount the LK Base by first fixing the upper part of the base in the intended grooves. Also ensure that the drainage elbow opens out into the intended hole. The lower part of the base is then pulled out to meet the floor.

When the correct height has been reached, the installation is secured using the screws on the front of the base. Then adapt the length of the drainage elbow to the outside of the base and install the outlet plate.



LK Base, installation

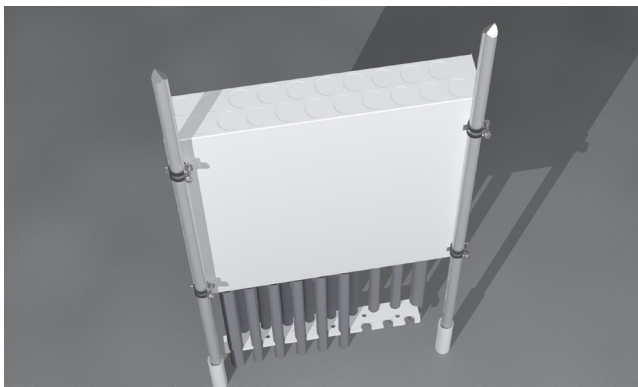


Outlet plate mounted on base

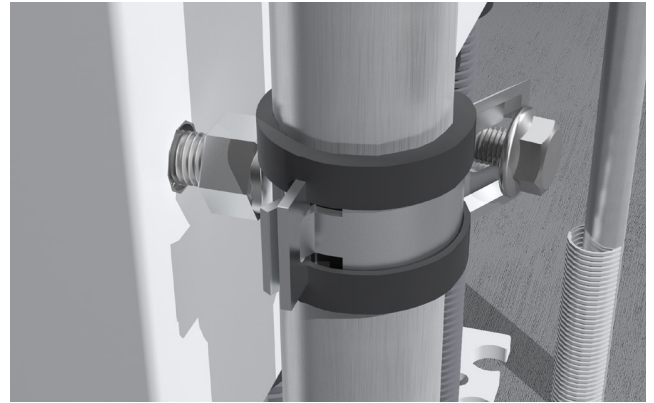
INSTALLATION AIDS

Installation using LK Cabinet Stand

The back of the cabinet is fitted with four anchor points (M8 nuts) which can be used to mount the cabinet before the concrete slab is cast. The LK Cabinet Stand, which is installed as shown below, is available as an aid.



LK Cabinet Stand L2 fitted along with LK Fixing Plate PiP 25.



Close-up of attachment to cabinet.

Insert the four M8 bolts supplied in the back of the cabinet. Screw the pipe clamps on to the protruding bolts. Thread in the round bars and slip on the conduit parts supplied with the stand. The conduit prevents the stand from getting stuck, and as a consequence the stand is reversible.

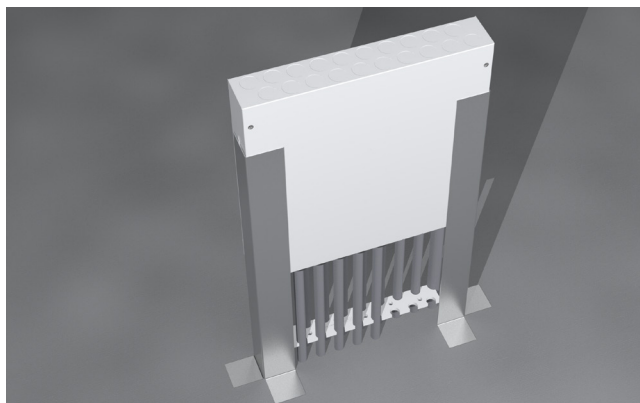
Push the round bars through the insulation and down into the sand until the installation feels steady. Raise the cabinet up to a suitable height and tighten the clamps. Tape the conduits to the stand legs to prevent the conduits from rising during casting.

Mounting using the LK Leg Stand and LK Flexilegs

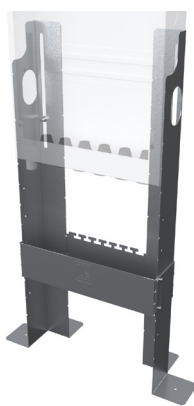
The LK Leg Stand and LK Flexilegs make it easier to mount cabinets on prefabricated concrete joists. Manufactured from galvanised steel plate. The LK Leg Stand is supplied in pairs with 4 self-tapping screws that are screwed through the holes on the inside of the cabinet to attach the legs. The LK Flexilegs are supplied in pairs with 2 screws that are used to attach the legs to the back of the manifold cabinet.

The feet on the leg stand have 6 mm holes to attach it to the concrete floor structure. The legs are secured using a bolt or metal nail plug (not supplied).

In cases where the manifold cabinet is not adequately secured by the leg stand, then the cabinet should also be secured to the wall.



LK Leg Stand



LK Flexilegs and LK Flexiguard.

REPLACEMENT OF PIPES

Install LK Replacement plate pipe inlet on conduit just above LK Pipe INlet 25 in the event of a possible replacement of the pipe.

LK PE-X Universal Pipe X16 can only take place starting from the wall stand support or wall box.

PRODUCTS

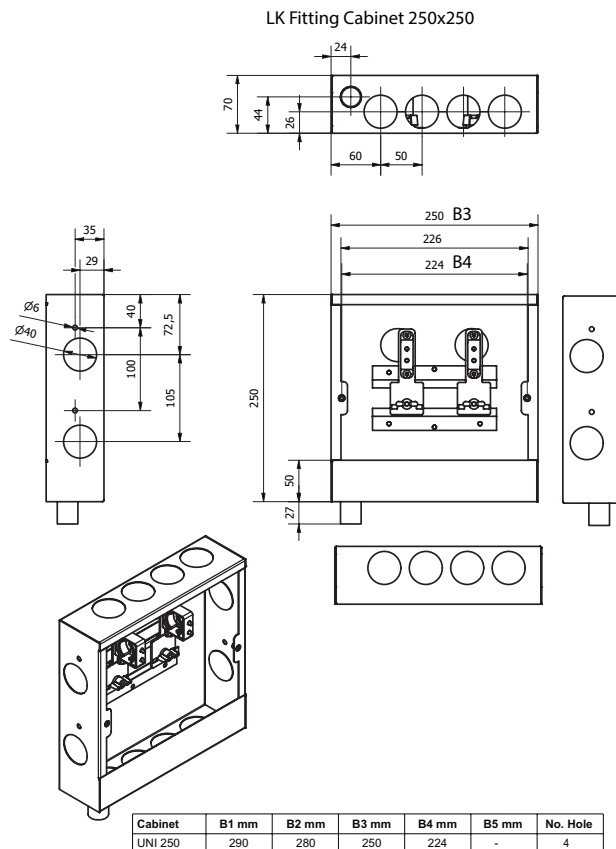
For the range of manifold cabinet UNI, read more here: www.lksystems.se

The LK PE-X Pipe-in-Pipe system, with component parts as stated in installation solutions NT VVS 129, is tested and approved in accordance with NT VVS 129 and the Sintef test method for conduits. Read more here: www.lksystems.se

OTHER PRODUCTS

For more information about products in the LK Universal range, see: www.lksystems.se

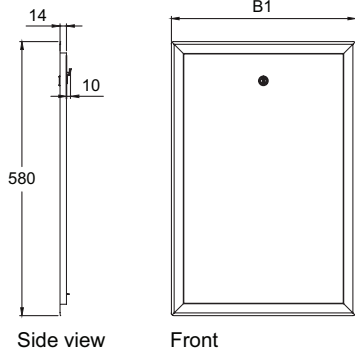
DIMENSION DRAWINGS



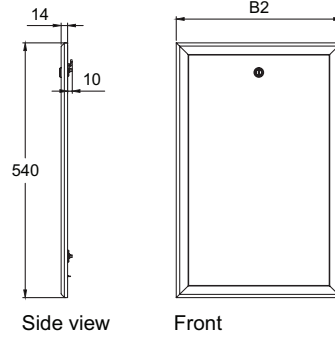
B1 = LK Frame/Hatch INB Valve Cabinet 250
B2 = LK Hatch VUK



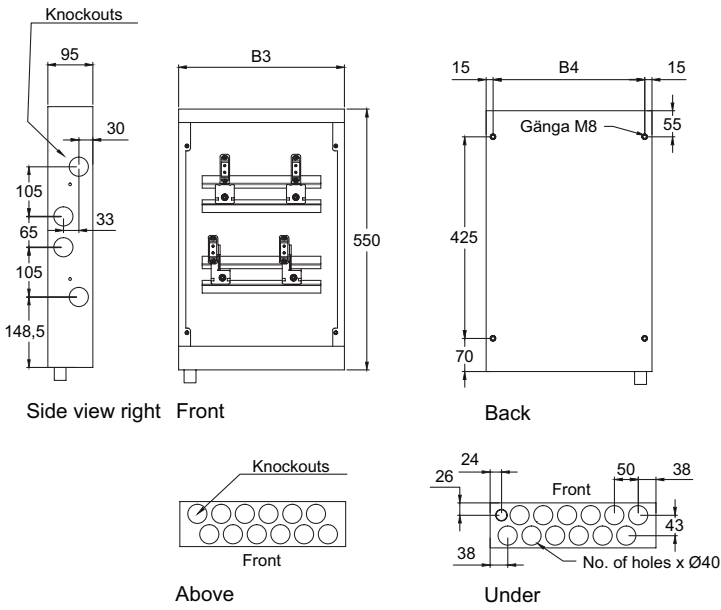
LK Frame/hatch UNI, INB



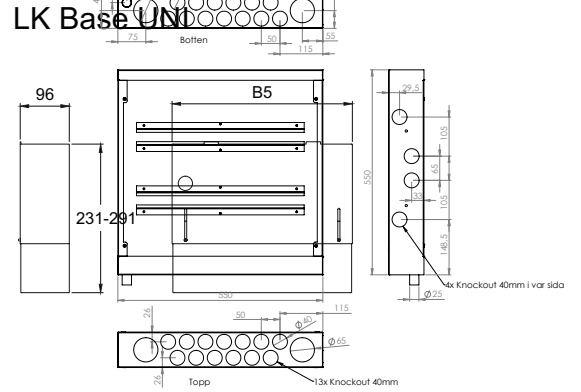
LK Frame/hatch UNI, UTV



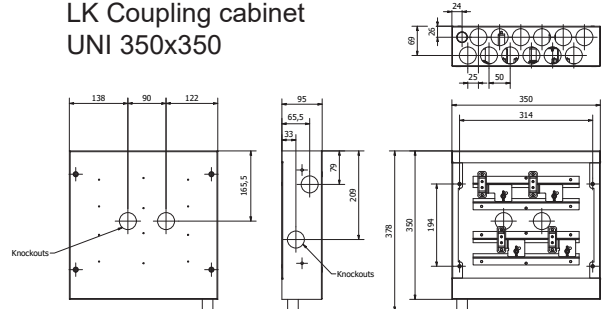
LK Manifold Cabinet UNI



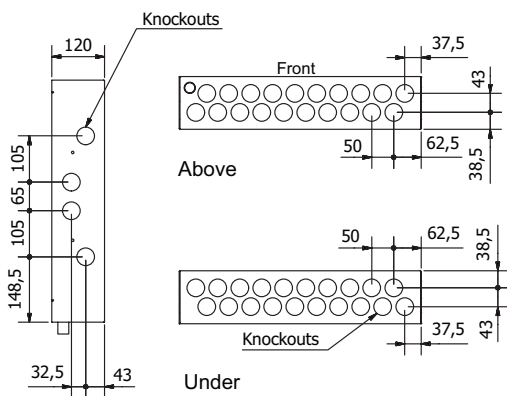
LK Coupling cabinet 550 FH



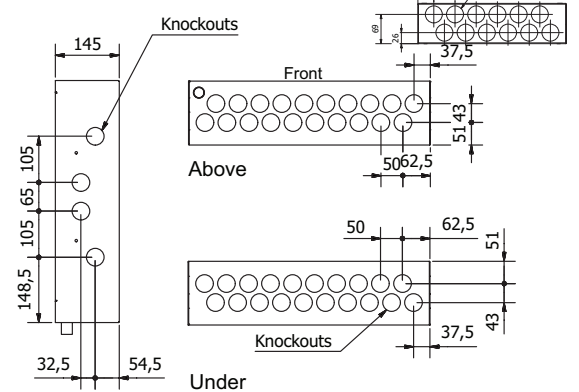
LK Coupling cabinet UNI 350x350



LK Manifold Cabinet UNI 550 L



LK Manifold Cabinet UNI 550 XL



Cabinet type	B1 mm	B2 mm	B3 mm	B4 mm	B5 mm	No.of holes
UNI 350	390	350	350	320	353	12
UNI 450	490	450	450	420	453	16
UNI 550	590	550	550	520	553	20
UNI 700	740	700	700	670	703	26

