

LK Wallbox UNI Push

Only intended for LK PE-X Universal Pipe X.



ASSEMBLY

LK Wallbox UNI Push can, due to its unique design, be assembled on a wall with at least 45 mm studs, both in the back and the front edge of the wall, depending on the method of construction. The wallbox can also be assembled on the side of a stud. As an aid for getting the correct c/c distance between two wallboxes, **LK Distance template is available for LK Wallbox UNI Push** (Article no. 188 06 41). This is made of plastic and provides the following c/c distances; 160, 150 and 100 mm.

With **LK Wall Support Wallbox UNI Push 160 and 150** (Article no 188 07 42-43). Wall support is made of 1.25 mm surface-treated steel plate, two wall boxes can be mounted on a stud. Always try to assemble the wallbox so that the shank is as short as possible, this facilitates any replacement of the pipe.

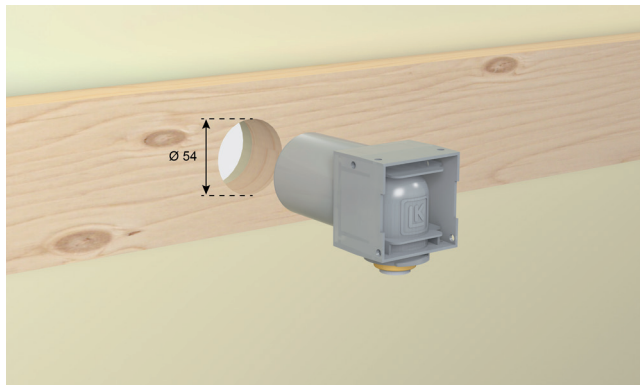


This product conforms to the Swedish industry rules on Safe Water Installation. LK Systems guarantees the functionality of the product if the industry rules and the assembly instructions are followed.



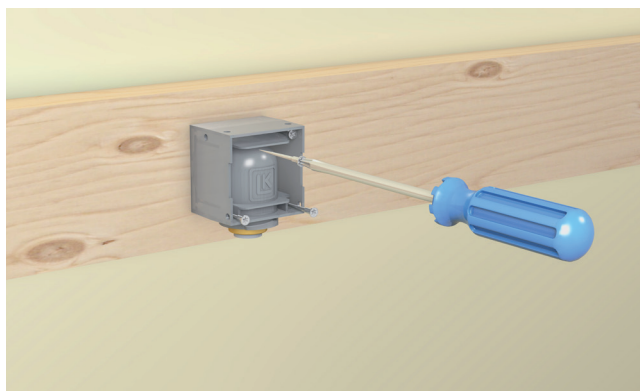
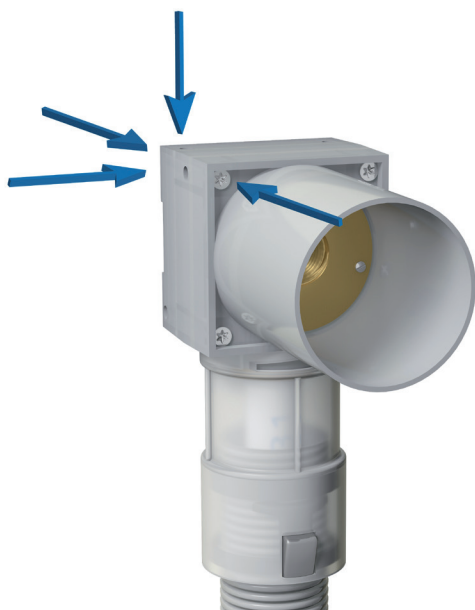
LK Potable Water System is approved according to the Nordtest method NT VVS 129.

1. Check that all the parts on the wallbox are whole prior to assembly. If any part is damaged, it must be replaced.



2. Drill a hole of diameter 54 mm.


The wallbox can be fastened in many different ways:



3. There are two different ways to mount the wallbox on, select 3.1 or 3.2.

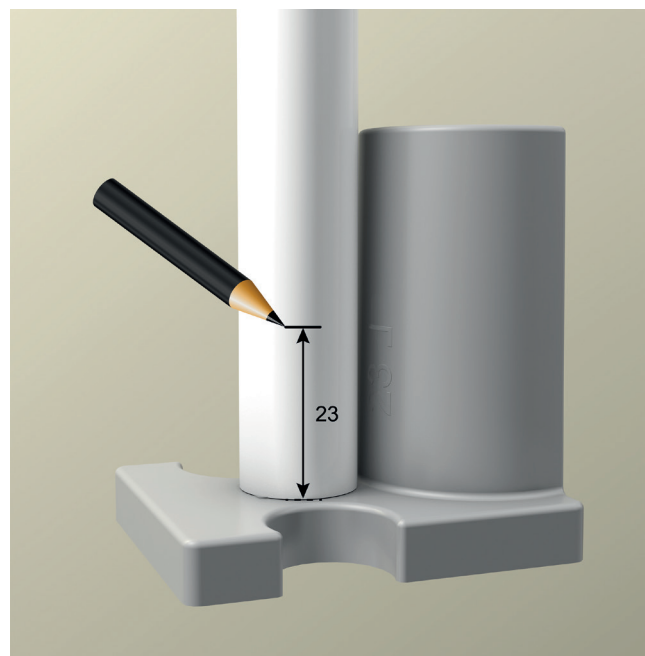
3.1 Fasten the wallbox with the supplied screws. The wallbox should always be attached against the nogging piece, stud or Wet-Room-Wall 2012 (Safe Water-wall). Proceed to step 4.

3.2 Start by mounting LK PE -X Universal Pipe according to step 4 and follow the installation instructions to step 12. Then the box must be screwed with the supplied screws. The wallbox should always be attached against the nogging piece, stud or Wet-Room-Wall 2012 (Safe Waterwall).



Note!
The wallbox may never be attached only in plaster.

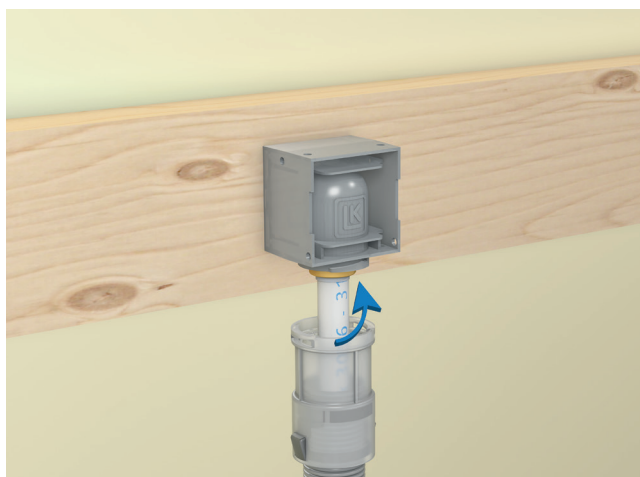
4. Adjust the length of LK PE-X Universal Pipe by cutting it perpendicular with a pipe cutter. Cut the conduit approximately 30 mm shorter for LK Wallbox UNI Push 16 than the PE-X pipe. For LK Wallbox UNI Push 20, cut the conduit approx. 40 mm shorter than the PE-X pipe.



5. Mark the insertion depth on the PE-X pipe. The insertion depth should be 23 mm on the 16 mm pipe and 27 mm on the 20 mm pipe. The yardstick at LK SmartTool (Article no 188 07 41) will facilitate it.

6. Remove the sleeve coupling from the box and insert the PE-X pipe with conduit past the joint in the sleeve coupling so that at least one groove of the conduit is visible.

7. Assemble the accompanying support sleeve in the PE-X pipe.



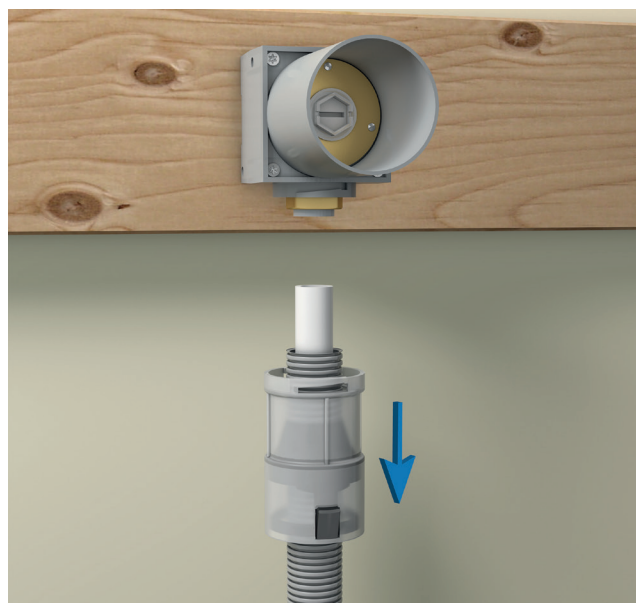
8. LK PE-X Universal Pipe X is now inserted into the PushFit coupling with a firm rotating movement until it resists and the marking of the insertion depth is barely visible. Then pull the pipe to ensure that it is secured firmly in the coupling. To facilitate installation of LK PE-X Universal Pipe in the fitting, use LK Manual Pipe Grip Plier (Art. no. 188 11 03).



Note!
The PushFit coupling in the box is only intended for LK PE-X Universal Pipe.

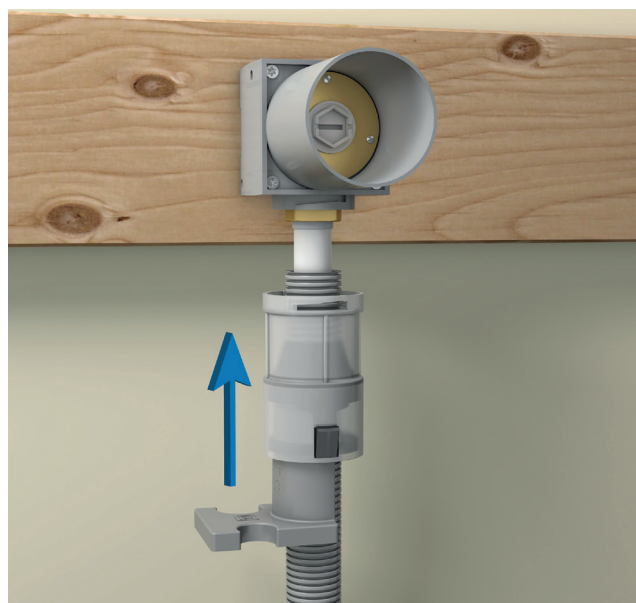


Note!
Note that the 20 mm coupling is not replaceable. This means that it is necessary to install a hatch for service immediately behind LK Wallbox.

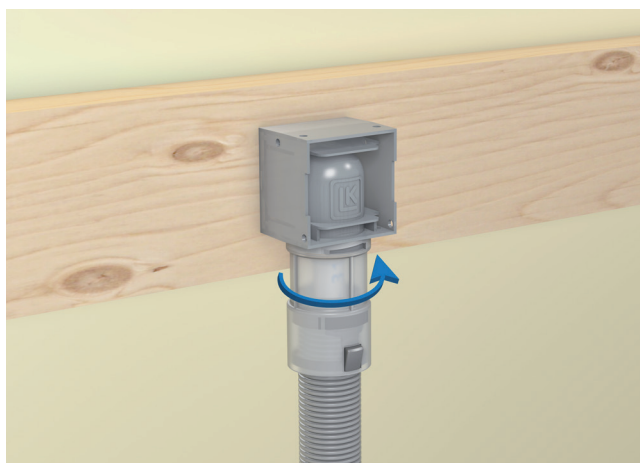


9. An alternative way to mount LK Wallbox UNI Push 16 is to loosen the coupling sleeve from the wallbox and draw down the sleeve over the conduit. Steps 4 and 5 must be completed.

10. Connect the PE-X conduit to the PushFit coupling according to points 7 and 8.



11. Use tool **LK SmartTool** (Article no 188 07 41) to push the sleeve coupling up outside the 25 conduit to the housing. Use the LK SmartTool as in the picture above so that it opens the lock clip in the sleeve coupling. Alternatively, place a piece of slitted 34 conduit (min. 10 cm long) outside the 25 conduit.



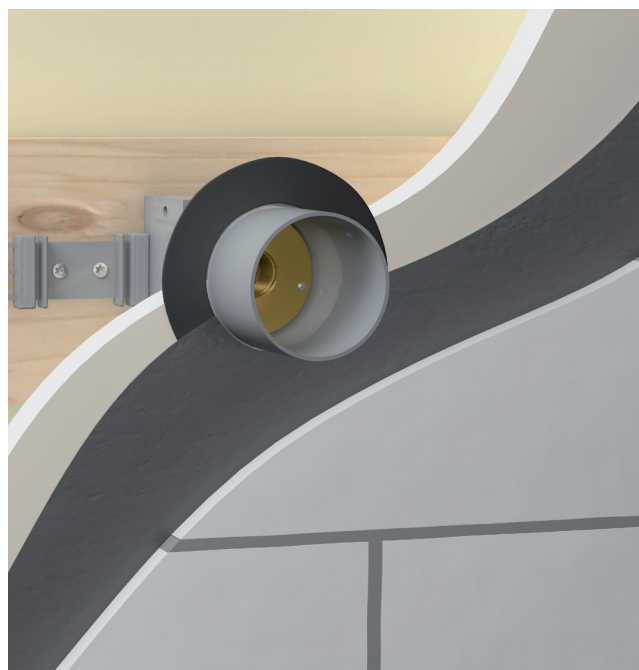
12. Assemble the sleeve coupling on the wallbox's casing with a rotating movement until it stops, so that it locks firmly. Then pull the conduit to ensure that it is secured firmly in the sleeve coupling's lock clips.

Remove the LK SmartTool or piece of conduit when the mounting is completed. Ensure that at least one groove of the conduit is visible.



The pressure testing plug is fitted and may NOT be used for any other purposes besides pressure testing for a limited duration (120 min).

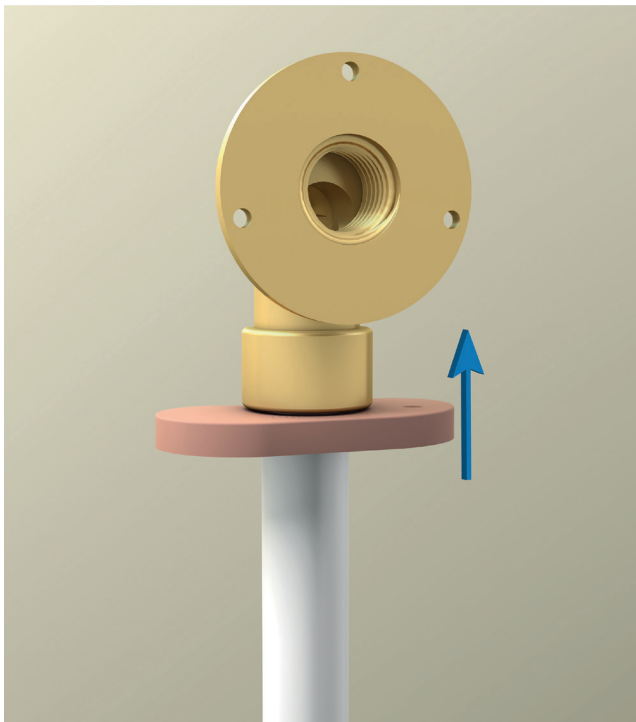
Remove the plug using a 'Mora' knife, a 16 mm socket or screwdriver. The pressure and leakage check must be carried out according to the LK Handbook or Industry regulations Safe Water Installation.



14. If the wall cladding is of ceramic tiles, the pipe membrane should be assembled behind the tiles and connected tightly against the wall lead-through. **LK Pipe Membrane Wallbox Push**, (Article no. 481 44 23) can be used. The sealing layer contractor is responsible for the sealing layer's adhesive properties in accordance with the industry rules.

If the wall cladding is of vinyl covering the sealing layer contractor should be responsible for sealing between the wallbox's shank and vinyl covering.

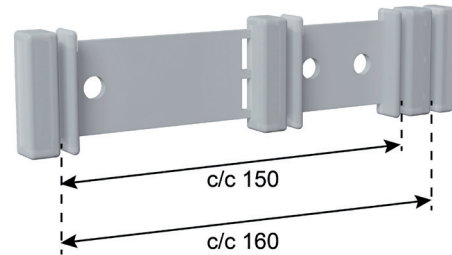
Disassembling the PushFit coupling



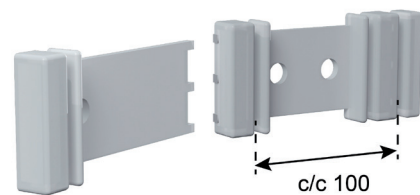
In the event of disassembly, **LK Disassembly Tool** (Article no. 188 06 45 for 16 mm alternatively 188 06 46 for 20 mm) or **LK SmartTool** (Article no 188 07 41) must be used. If the same PE-X pipe needs to be re-assembled, the pipe ends should be checked so that the coupling's grab ring has not damaged the PE-X pipe. In this case, the PE-X pipe should be cut at least at the insertion depth which has been marked.

LK Distance template LK Wallbox UNI Push

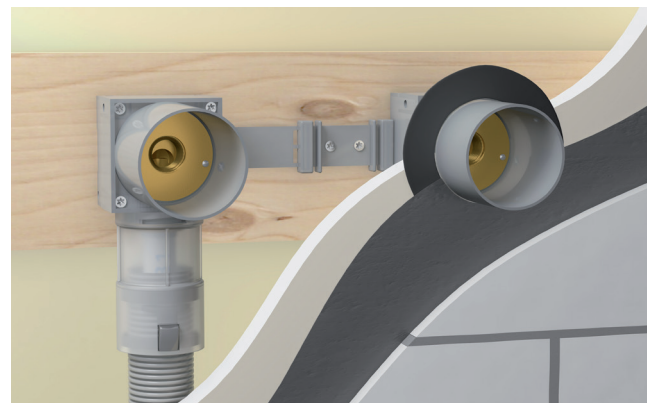
When two wallboxes are to be assembled, for example, for shower or bath mixer taps, **LK Distance template LK Wallbox UNI Push** (Article no. 188 06 41) can be used to get the correct c/c distance. With LK Distance template you can get the following c/c distances: 160, 150 and 100 mm.



15.1. At c/c 150 the small piece should be broken off at the breaking notch and at c/c 160 the distance template should be assembled whole. See the markings in the image.



15.2. When assembling boxes with c/c 100, LK Distance template should be broken at the breaking notch.

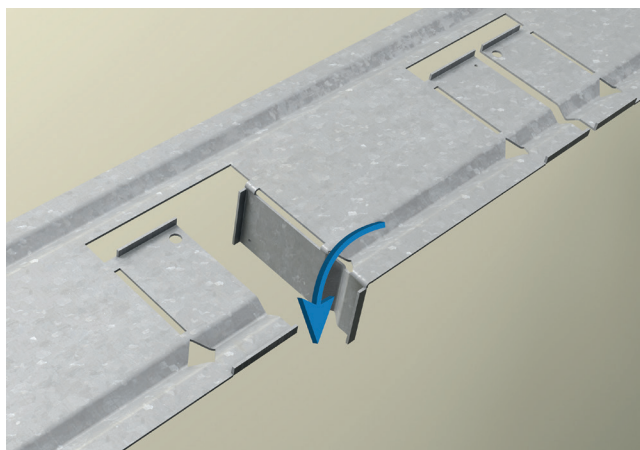


16. Assemble and fasten the distance template on the stud (screws are not included).

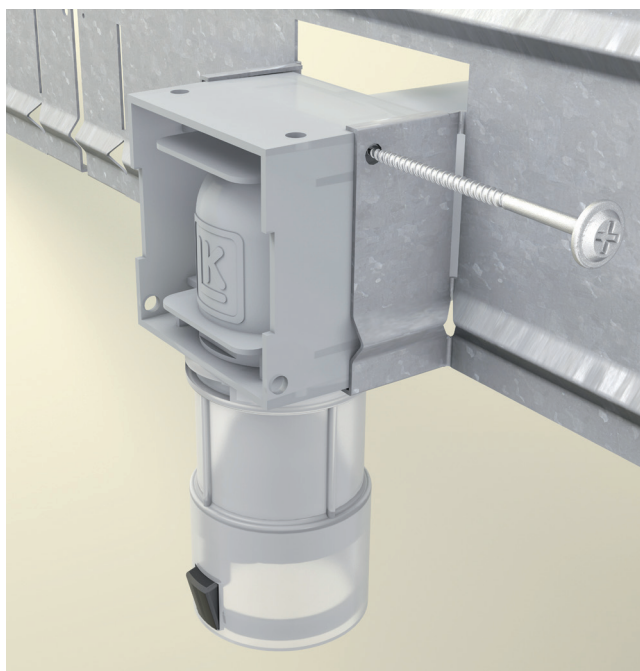
17. Fasten the wallbox with the accompanying screws in accordance with step 3.

LK Wall Support Wallbox UNI Push

When two wall boxes are to be mounted in a stud construction, **LK Wall Support Wallbox UNI Push 160** (Article no 188 07 42) or **LK Wall Support Wallbox UNI Push 150** (Article no 188 07 43), can be used. LK Wall Support attaches the boxes and provides the correct c/c dimension between them. LK Wall Support UNI Push is suitable for stud separation dimensions of 300 mm or 450 mm.



18. Bend out the attachment lugs on the plate.



19. Mount the wall boxes on the plate using the screw included as in the picture above. Pass the screw through the large hole in the plate and through the box so that it tightens in the small hole.



20. The studs must be jacked out xx mm to provide space for the plate reinforcement profile.

21. Attach the plate to the stud using four screws, not provided.

22. Continue to mount the box according to point 4.

After wall covering




23. The wallbox is cut down to approximately 5 mm from the completed wall with **LK Wall Box Cutter UNI** (Article no 187 64 94).

LK CONNECTION COUPLINGS




For assembly of tap mixer in accordance with Swedish standards, **LK Connection coupling M26** (Article no. 187 05 47) should be assembled. The length of the connection should be adjusted and the thread joint against the angle fitting should be sealed with, for example, flax and thread paste. Tightening is done with a combination wrench.



Note!
Thread tape should not be used on the connection coupling.



For assembly of tap mixer in accordance with international standards, **LK Connection coupling 3/4\"/>**



Note!
Thread tape should not be used on the connection coupling.

More variations of connection couplings are available in LK's product catalog.

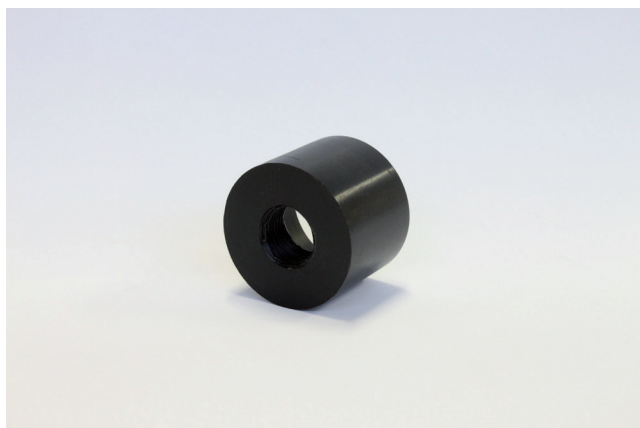
Replacement of PE-X pipe to LK Wallbox Push

For replacement of LK PE-X Universal Pipe X, refer to the LK Catalogue.

ACCESSORIES FOR LK WALLBOX UNI PUSH

Reinforcement for wall box

LK Reinforcement for wall box UNI (Art. no. 188 10 66), see picture below, is used when the mixer needs maximum support. The reinforcement has a female $\frac{1}{2}$ " thread which is screwed onto a connection coupling. The connection coupling is then threaded on the wallbox angle fitting.



LK Systems AB
Johannesfredsvägen 7
Box 66
161 26 Bromma
Sweden

Phone: +46 (0)8-506 851 00