

LK Plasterboard Hatch HIDDEN

IMPLEMENTATION

LK Plasterboard Hatch HIDDEN can be adapted to fit wherever it is installed, becoming a natural part of the rest of the interior. The smart magnetic lock adds to the discreet appearance and gives quick, simple access to the manifold cabinet. The hatch must be stored indoors. LK Key Lock RSK 188 23 52 is an optional accessory.



NOTE!

LK Plasterboard Hatch HIDDEN must not be installed in a room with membranes on the walls.



INSTALLATION - WORKFLOW

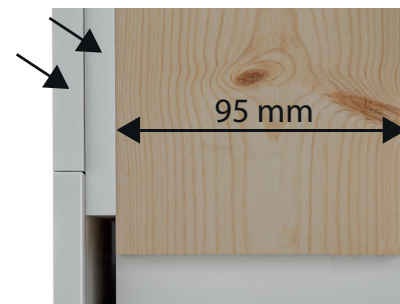
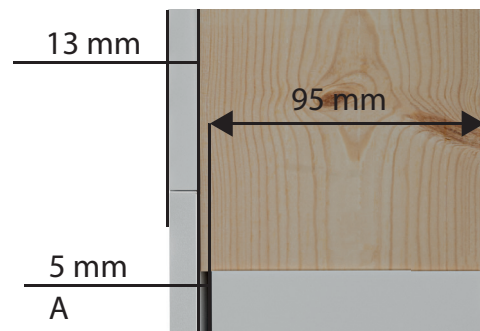
Install the manifold cabinet

1. If the HIDDEN hatch is mounted with a wallboard that is at least 13 mm thick, the cabinet must be mounted 5 mm inside the stud frame (A). This means that the thickness of the wall stud must be increased to cope with the depth of the cabinet.



TIP!

As an alternative, for example, double plasterboard or a plasterboard and OSB board can be mounted on the stud frame to make room for the HIDDEN hatch's attachment to the installation cabinet.



For certain installations such as the LK Manifold UNI-Avst (and the number of outlets in the cabinet will be reduced) or the Minishunt M60, the cabinet must be mounted 10 mm inside the stud frame, or alternatively a double plasterboard or a plasterboard and OSB board must be mounted on the stud frame.

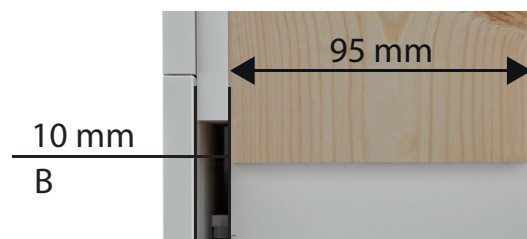


TABLE OF CONTENTS

Implementation	1
Installation - Workflow	1
Fit the locking bolt to the hatch	3
Lifting out and putting the hatch back in place	4
Fit an additional magnet	4



2. Fit studs or other fastening parts to lie against the back of the hatch frame and wall plasterboard cladding.



3. Fasten the screw support downwards on the manifold cabinet.



4. Screw the frame in place inside the cabinet using the four screws supplied.



TIP!
Double holes in the frame of RSK 188 27 15. One set is for installation cabinet GV, the other for installation cabinet UNI.



Mount the hatch and the wall's dry lining

1. Seal the gap between hatch and plasterboard on the hatch.



TIP!
Use a suitable sealant around the hatch and frame, as a certain amount of movement between them can occur.



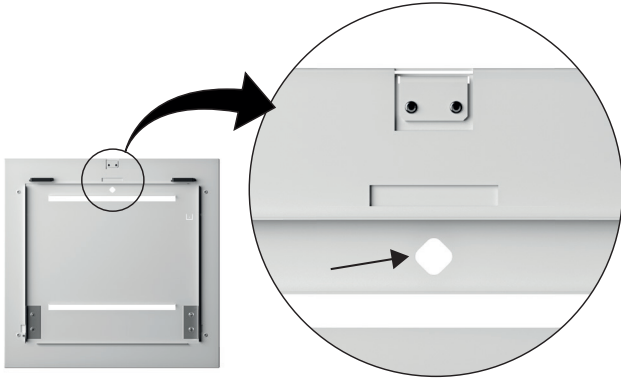
2. Seal and fill between wall and the hatch's outer frame.



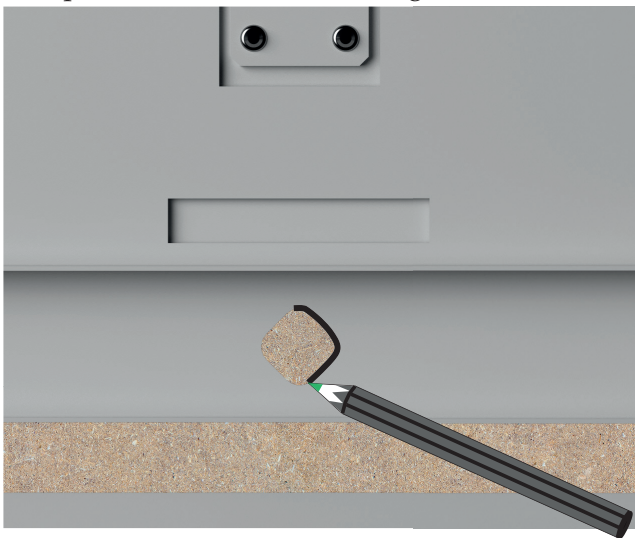
3. Attach the surface finish to the wall and hatch.

FIT THE LOCKING BOLT TO THE HATCH

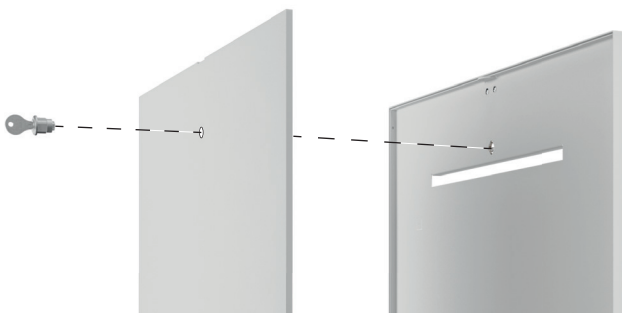
1. Find the hole for the locking bolt (RSK 188 23 52) on the back of the hatch.



2. Use the hole in the hatch for the locking bolt as a template. Drill a hole in the plasterboard for the locking bolt.



3. Take the locking bolt apart into the bolt, retaining nut and lock plate.
4. Insert the bolt part with the key at the front of the plasterboard.



5. Insert the lock nut and locking plate at the back of the hatch. Put the parts together and tighten the lock nut.



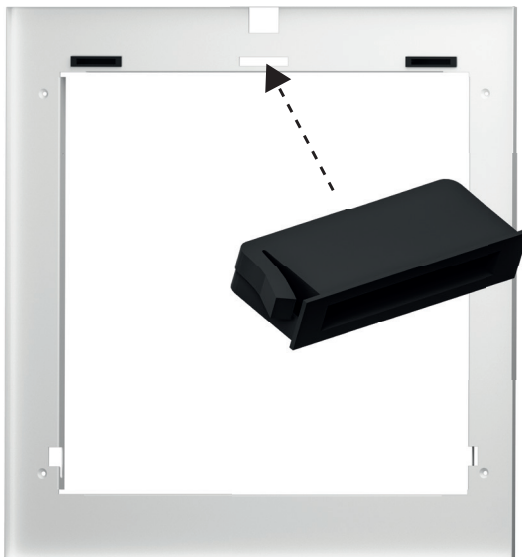
The fitted lock should be as shown in the images below.



FIT AN ADDITIONAL MAGNET

There is a pre-drilled hole for a third additional magnet (LK No. 29217). See the arrow in the image.

1. Press the magnet into the hole as far as it can go.



2. Get a good grip with both hands on the sides of the hatch and lift it carefully upwards. Adjust the lifting until the pins disengage and the hatch is released.



Putting the hatch back

3. Get a good grip with both hands on the sides of the hatch. Lift and carefully fit the hatch in the frame, ensuring that the pins engage with the holes and hold the lower part of the hatch in the frame. Use a knee or hand to support the bottom of the hatch to make it easier to fit it in.
4. Close the hatch.



LIFTING OUT AND PUTTING THE HATCH BACK IN PLACE

TIP!

The hatch has a tab that fits in a notch. On the lower part of the hatch sides are pins for fitting the hatch into its frame. The cabinet frame has holes for the pins to secure the hatch.



When installing in an LK Installation Cabinet GV, the thermometers on the LK Heating Circuit Manifold RF may have to be removed to be able to close the LK Plasterboard Hatch HIDDEN.

Lift out the hatch

1. Carefully open the hatch about 1-2 cm.

