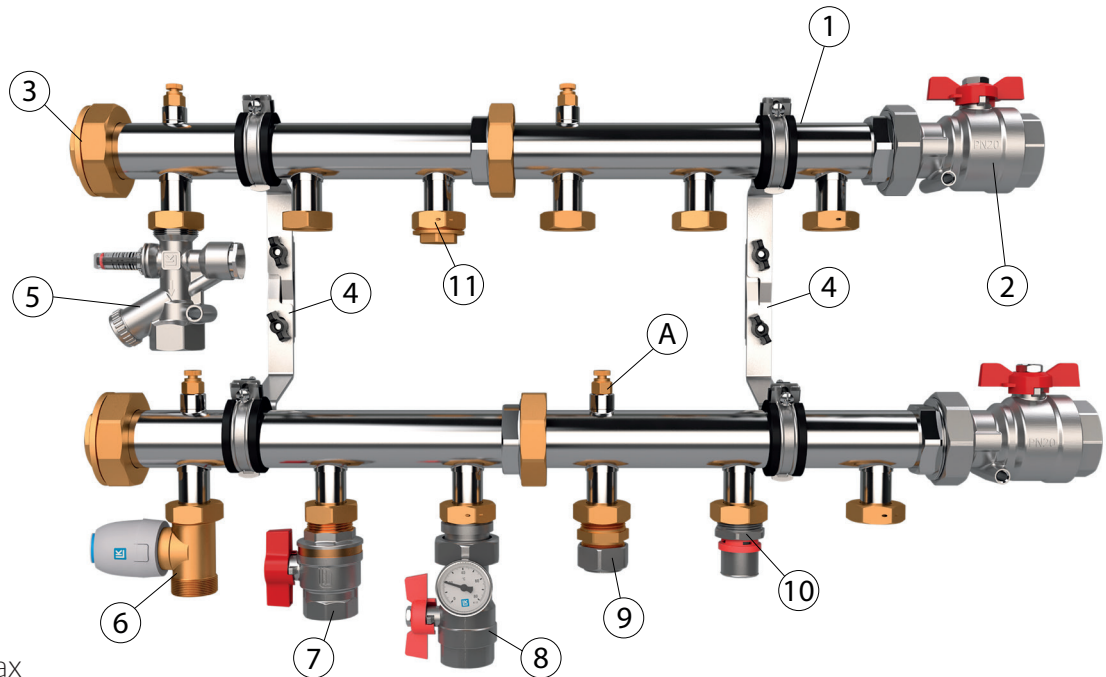


Accessory guide - LK Manifold Qmax 2"



LK Manifold Qmax

1	Article no. 243 51 68	LK Manifold Qmax 2" 2	L = 198 mm
1	Article no. 243 51 69	LK Manifold Qmax 2" 3	L = 298 mm
1	Article no. 243 51 70	LK Manifold Qmax 2" 4	L = 398 mm
1	Article no. 243 51 71	LK Manifold Qmax 2" 6	L = 598 mm

Ancillaries

2.	Article no. 243 51 66	LK Ball Valve 2"	Length = 99 mm
3.	Article no. 243 51 67	LK Plug 2"	For plugging Qmax manifolds
4.	Article no. 241 03 16	LK Bracket Qmax 2"	Sold in pairs, i. e. 2 brackets per package
7.	Article no. 241 75 50	LK Ball valve 1"	Length = 69 mm
8.	Article no. 241 89 00	LK Ball Valve with thermometer	Length = 115 mm
9.	Article no. 241 79 32 & Article no. 241 79 48	LK Connection Coupling 20 x 2.0 & LK Nipple 25 x 1"	For connecting LK Under floor Heating Pipe 20 x 2
9.	Article no. 241 79 07 & Article no. 241 79 48	LK Connection Coupling 25 x 2.3 & LK Nipple 25 x 1"	For connecting LK Heating Pipe 25 x 2.3 and LK Ground Heating Pipe 25 x 2.3.
9.	Article no. 241 79 42 & Article no. 241 79 51	LK Connection Coupling 32 x 2.9 & LK Nipple 32 x 1"	For connecting LK Heating Pipe 32 x 2.9
10.	Article no. 241 70 42	LK Press Fitting PV 25 x 1"	For connecting LK Heating Pipe 25 x 2.3 and LK Ground Heating Pipe 25 x 2.3.
10.	Article no. 187 65 11	LK Press Fitting PV 32 x 1"	For connecting LK Heating Pipe 32 x 2.9
11.	Article no. 187 56 98	LK Plug 1"	For plugging unused outlets
A.	Air Bleed Valve. Can be replaced by an LK Thermometer Pocket 33920 & LK Thermometer 0-80° 243 47 47		Note requirement for air bleeding.

LK Adjustment Valve

5.	Article no. 241 96 11	LK OptiFlow Evo II 2-16 l/min 1" in/out	Length = 99 mm
5.	Article no. 241 96 10	LK OptiFlow Evo II 4-36 l/min 1" in/out	Length = 99 mm

LK Single Zone Manifold Control

6	Article no. 241 98 96	LK Zone Control, 2-way 24V AC, 1"
6.	Article no. 241 98 98	LK Zone Control, 2-way 24V, 0-10V DC, 1"