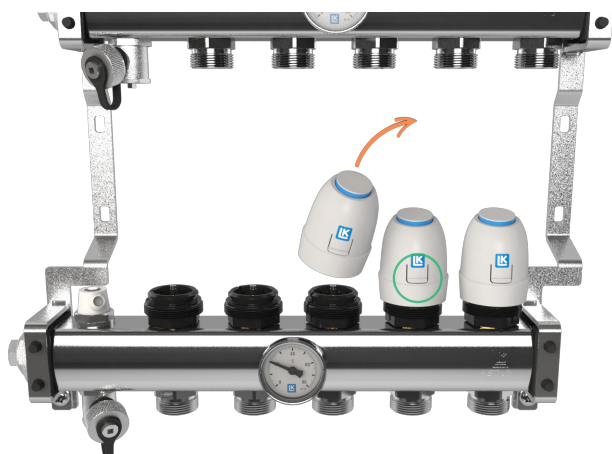


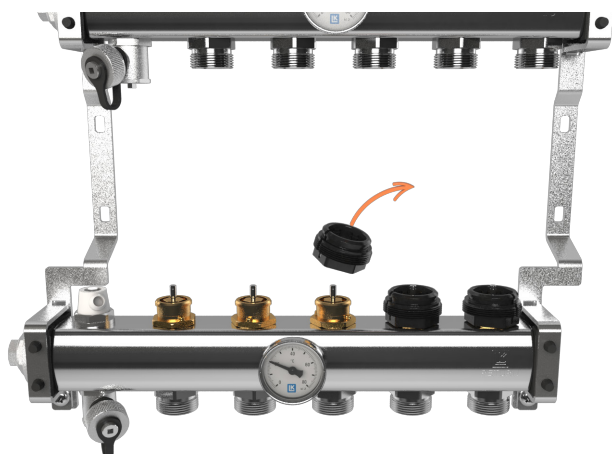
Replacement of actuator adapter LK 26 for VA 26



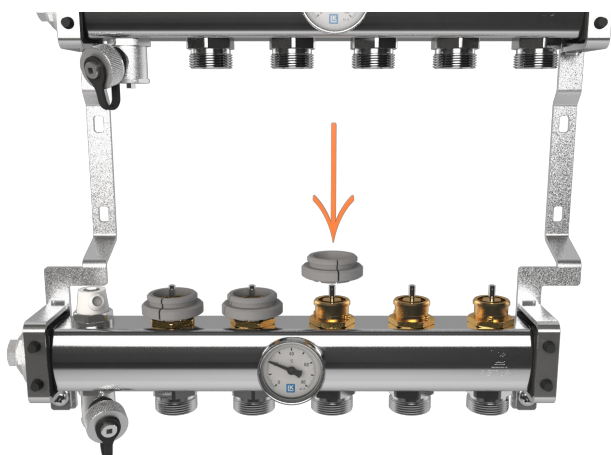
1. Use the following steps to disassemble and assemble the actuator and adapters. It is important to follow the prescribed order to ensure correct functionality.



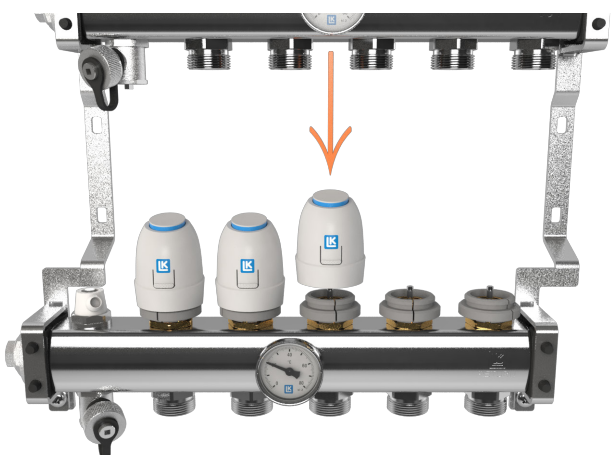
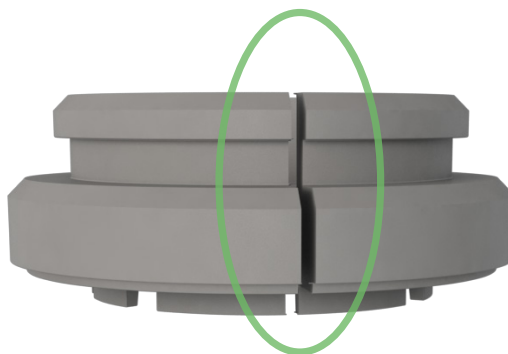
2. Remove the actuator from the pre-manufactured adapter by pressing the button on the front (see green circle). This retracts the fasteners on the bottom of the actuator.



3. Disassemble the factory adaptor using appropriate tools, for example a large screwdriver. When the adapter has been disassembled, it is impaired and must therefore not be reused.



4. Assemble the new grey adapter (243 46 11 LK Actuator Adapter VA 26). It is very important that the joint (green circle) on the adapter faces the front of the manifold as close as possible. See illustration below.



5. Assemble the actuator on the manifold by pressing down until two clicks are heard. Ensure that the actuator's two fasteners are properly attached to the adaptor by gently moving the actuator. It is important that the actuator is positioned so that the button and LK logo face the front of the manifold as shown in the picture. If not, there is a risk that one of the actuator's fasteners covers the adapter's joint.



6. Assembly is complete.

