

LK Cabinet M5 WP & WP-XL

DESIGN

LK Cabinet M5 WP is available in two sizes. LK Cabinet M5 WP is designed for concealing or protecting LK Mini Loop Valve M5 and LK Cabinet M5 WP-XL is designed for LK Mini loop valve M5 when the mini loop valve is to be controlled electronically. LK Cabinet WP-XL can also be used for concealing or protecting LK 1-Circuit Valve including electronic control equipment.

The cabinet fulfils Sweden’s plumbing safety regulations. The cabinet is made of 1 mm powder coated steel plate and has a water tight base with rubber pipe grommets.

The cabinet base is fitted with an outlet for leakage indication so that any leakage water can be drained. The back of the cabinet is equipped with 4 x M8 bolts which are used to secure the LK Cabinet Stand if the cabinet is assembled before the wall is joisted. (See section **Alternative assembly using LK Cabinet Stand** for more information.)

The cabinet is supplied with pre-assembled door, pipe grommets, cable grommets, spray shields, LK Mini Loop Valve M5 mountings and assembly instructions. The cabinet’s sides are fitted with knockouts holes for flow and return pipes.

INSTALLATION IN STUD WALL

Installation in stud-walls a minimum stud-frame thickness of 70 mm is required. To assemble and fit in the drainage pipe, the cabinet must be mounted on a min. height of 120 mm from the underside of the cabinet bottom to the finished floor. Drainage pipe should be installed sloping downwards.

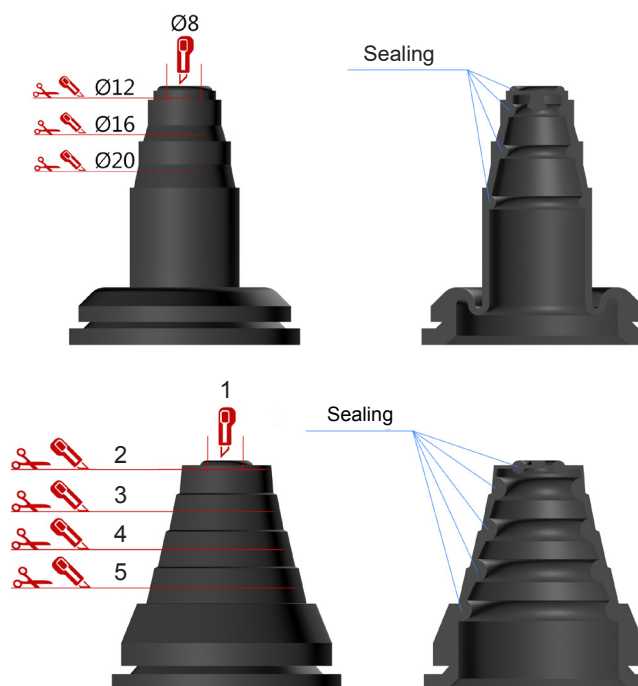
Adjust/cut the supplied pipe grommets so that they fit the required pipe dimension. Then assemble the pipe grommets in the cabinet.

Mount the pipe grommets in those holes which are not used for pipes.

Mount the supplied rubber sleeve to the cabinet leakage indication outlet. Then attach a 25 mm conduit to the rubber sleeve and fix the conduit to lead to a suitable point.



LK Cabinet M5 WP-XL



Cutting level	Dim. Pipe	Dim. Conduit (PiP)
1	Ø12	-
2	Ø16	-
3	Ø20	Ø25
4	Ø25	-
5	Ø32	Ø34

The drainage pipe must be fixed and the end must be assembled using enclosed end flange.

Since the cabinet has an installation depth of 83 mm, installation calls for the use of minimal-ly 13 mm gypsum board mounted flush to the cabinet. The cabinet’s door covers the opening in the cabinet provided the wall covering is flush against the cabinet.

If pipe feeds are to be connected from the side of the cabinet, the knockouts are removed with a hammer or screwdriver.

The frame and door of the cabinet are fitted once the surface layer is completed. Remember to mount the included blue splash protection before mounting the door.



Adjust the pipe grommets.



Fit the pipe grommets in the cabinet.



Fit the rubber sleeve.

ALTERNATIVE ASSEMBLY USING LK CABINET STAND

If the cabinet is to be assembled before the concrete slab is cast the LK Cabinet Stand is an ideal assembly aid. The reverse side of the cabinet is equipped with four M8 nuts. Attach the M8 bolts supplied with the cabinet stand to the cabinet. Then attach the pipe clamps to the protruding bolts. Three round bars in the pipe clamps. Remember to assemble the supplied conduit lengths (these are used to prevent the round bars from getting stuck in the concrete). Push the round bars through the insulation and down into the sand/ground until the installation feels steady. Raise the cabinet up to a suitable height and tighten the clamps. Tape the conduit to the stand leg to prevent the conduit from rising with the casting.



LK Cabinet Stand with brackets.



Close-up of attachment to the cabinet.

ASSEMBLY OF LK MINI LOOP VALVE M5

See the separate assembly instructions for LK Mini Loop Valve M5.

Design / Type of control	Use cabinet
LK Mini Loop Valve M5 with capillary tube control	LK Cabinet M5 WP
LK Mini Loop Valve M5 with electronic control	LK Cabinet M5 WP-XL



LK Mini Loop Valve M5 assembled in LK Cabinet M5 WP.



LK Mini Loop Valve M5 supplemented with LK ICS-RF1. The equipment is installed in LK Cabinet M5 WP-XL.

ASSEMBLY OF LK 1-CIRCUIT VALVE IN LK CABINET M5 WP-XL

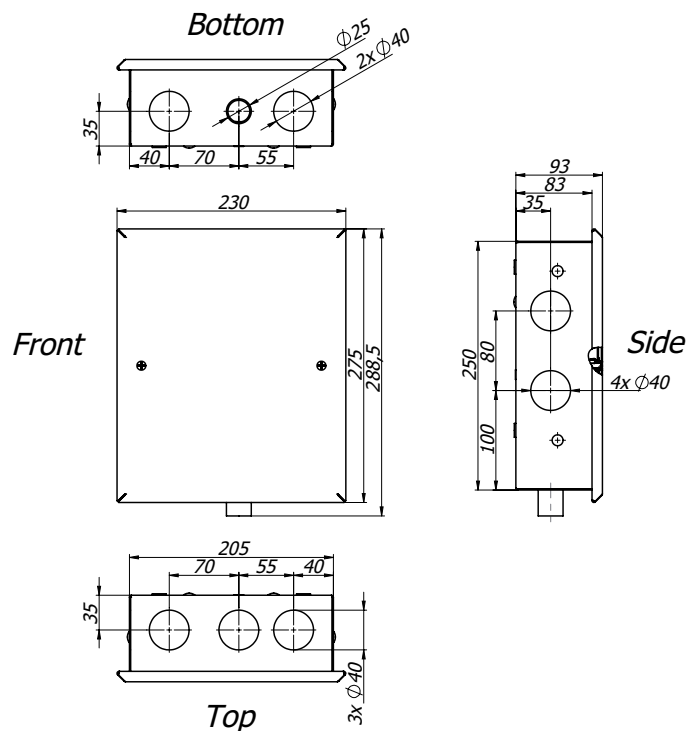
See separate assembly instructions for LK 1-Circuit Valve.

With assembly at a high point, take air bleeding into account.

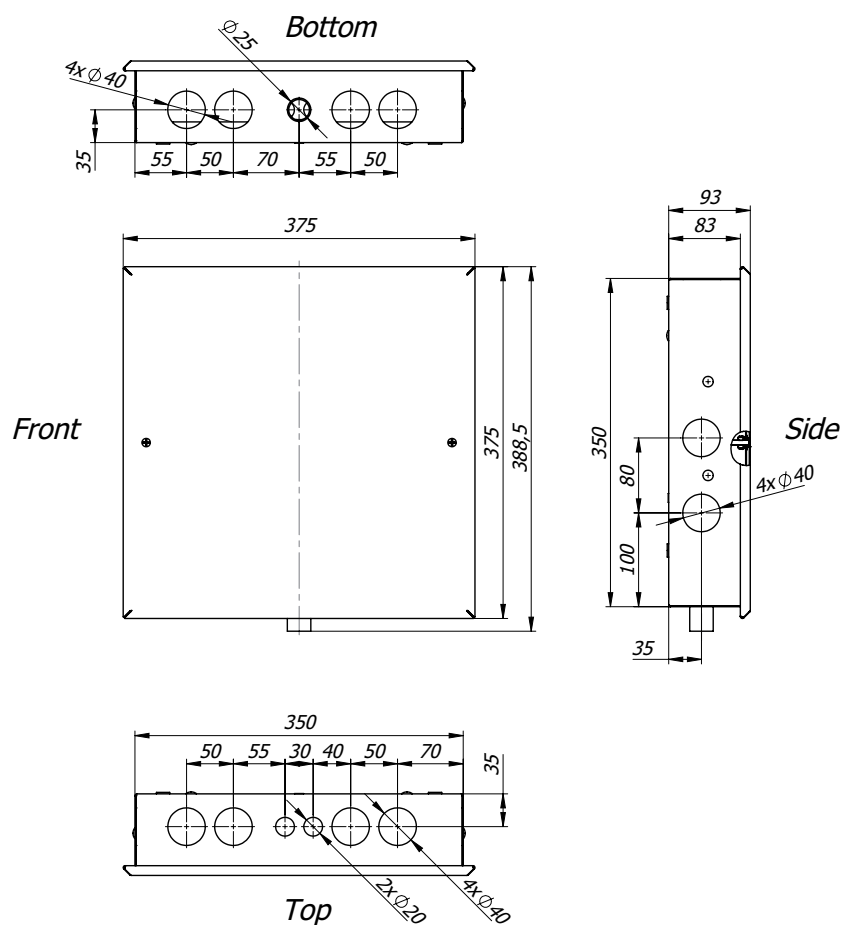


LK 1-Circuit Valve supplemented with LK Connection VKF RF/1-Circuit Valve Set and LK ICS-RF1. The equipment is installed in LK Cabinet M5 WP-XL.

DIMENSIONS DRAWING



LK Cabinet M5 WP.



LK Cabinet M5 WP-XL.

ARTICLE DATA

Name	Article no	Notes
LK Cabinet M5 WP	241 93 14	Intended for LK Mini Loop Valve M5
LK Cabinet M5 WP-XL	241 92 72	Intended for LK Mini Loop Valve M5 with electronic control
LK Cabinet Stand	241 88 94	Accessory