

LK Cabinet M60 WP & M60 WP-XL

DESIGN

LK Cabinet M60 is available in two different sizes. LK Cabinet WP which is used for the installation of LK Minishunt M60 and LK Cabinet M60 WP-XL which is used for the installation of LK Minishunt M60 and LK Mini Manifold.

The cabinet fulfills Swedish industry rules on safe water installation. The cabinet is made of 1 mm powder coated steel plates and has a dense base with rubber pipe grommets. The cabinet base is fitted with an outlet to indicate leakages so that any leakage water is drained.

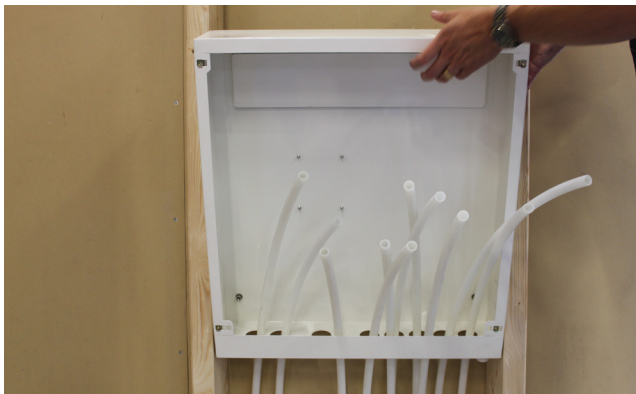
The reverse side of the cabinet is equipped with 4 x M8 nuts which are used to secure the LK Cabinet Stand if the cabinet is assembled before the wall is joisted (cf. Heading on *Alternative assembly using the LK Cabinet Stand.* for more info). The cabinet comes complete with a hatch and frame. The hatch is fitted with a screwdriver lock as standard. A key lock is also available as an accessory.

ASSEMBLY

LK Minishunt M60 is assembled to the left of the cabinet.

LK Cabinet M60 WP requires a stud-frame thickness of at least 120 mm. LK Cabinet M60 WP-XL requires a stud-frame thickness of at least 145 mm.

For cabinets above floor heating pipes. Screw the cabinet tightly into the studding using the wood screws supplied. The cabinet is assembled evenly with studs. To assemble and fit in the drainage pipe, the cabinet must be mounted on a min. height of 250 mm from the underside of the cabinet bottom to the finished floor. Drainage pipe should be installed sloping downwards.



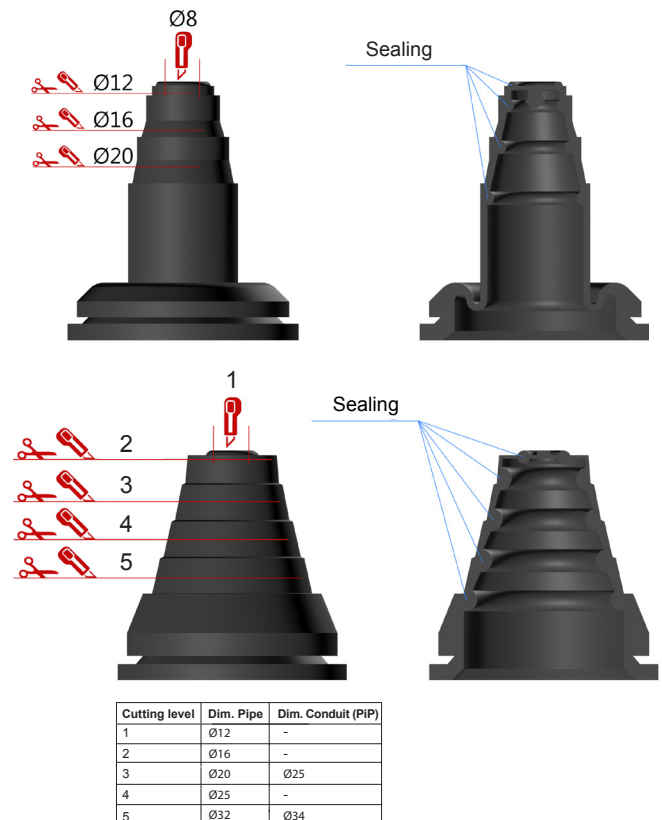
For cabinets above pipes



This product conforms to the Swedish industry rules on Safe Water Installation. LK Systems guarantees the functionality of the product if the industry rules and the assembly instructions are followed.

Adjust/cut the supplied pipe grommets so that they fit the required pipe dimension. Then assemble the pipe grommets in the cabinet.

Mount the pipe grommets in those holes which are not used for pipes.



Adjust the pipe grommets.



Fit the pipe grommets.

Mount the supplied rubber sleeve to the cabinet leakage indication outlet. Then attach a 25 mm conduit to the rubber sleeve, allowing sufficient space for the conduit to discharge. The maximum length must not exceed 1,5 metres. The conduit should be clamped and the end connection completed with the enclosed end flange.



Assemble the rubber sleeve

The cabinet is equipped with four studs for attaching LK Minishunt M60. LK Minishunt M60 is assembled in accordance with the instructions enclosed with the minishunt. Mini manifolds are assembled in accordance with the instructions supplied with the mini manifolds. NB! LK Cabinet M60 WP-XL (installation depth 145 mm) is required for the assembly of LK Mini Manifolds.

Adjust the outer covering so that the frame covers the aperture and the cabinet frame covers an area of 30 mm outside of the cabinet.

The cabinet frame and hatch are assembled once the surface layer is completed.

Do not forget to attach the supplied blue spray guards before the door is mounted.

ALTERNATIVE ASSEMBLY USING LK CABINET STAND

If the cabinet is to be assembled before the concrete slab is cast the LK Cabinet Stand is an ideal assembly aid. The reverse side of the cabinet is equipped with four M8 nuts. Attach the M8 bolts supplied with the Cabinet Stand to the cabinet. Then attach the pipe clamps to the protruding bolts. Three round bars in the pipe clamps. Remember to assemble the supplied conduit bits (these are used to prevent the round bars from getting stuck in the concrete). Push the round bars through the insulation and down into the sand/ground until the installation feels steady. Raise the cabinet up to a suitable height and tighten the clamps. Tape the conduit to the stand leg to prevent the conduit from rising with the casting.

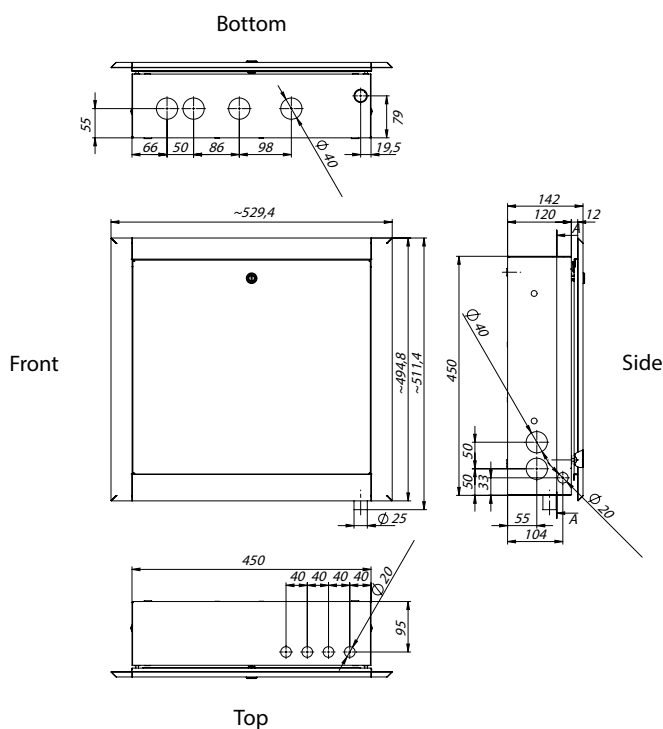


LK Cabinet Stand with brackets

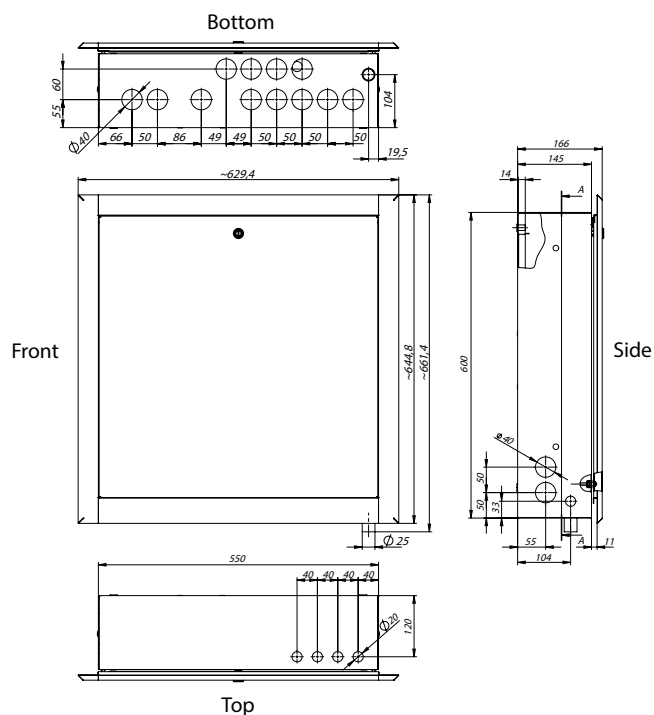


Close-up of attachment to the cabinet

DIMENSIONS DRAWING



LK Cabinet M60 WP



LK Cabinet M60 WP-XL

ARTICLE DATA

Name	Article no	Notes
LK Cabinet M60 WP	241 94 49	Designed for Minishunt M60
LK Cabinet M60 WP-XL	241 94 50	Intended for Minishunt M60 with mounted mini manifolds.
LK Lock with key	000 27 85	Accessories
LK Cabinet Stand	241 88 94	Accessories