

LK External Cabinet M60 WP & WP-XL

DESIGN

LK External Cabinet M60 is available in two different sizes. LK External Cabinet M60 WP which is used for LK Minishunt M60 and LK External Cabinet M60 WP-XL which is used for LK Minishunt M60 and LK Mini Manifolds.

The cabinet fulfils Swedish industry rules on water installation. The cabinet is made of 1 mm powder coated steel plates and comes complete with a hatch and frame. The hatch is fitted with a screwdriver lock as standard. A key lock is also available as an accessory.

The cabinet has a dense base with rubber pipe grommets. The cabinet base is fitted with an outlet to indicate leakages so that any leakage water is drained. The reverse side of the cabinet is equipped with 4 x M8 nuts which are used to secure the LK Cabinet Stand if the cabinet is assembled before the wall is joisted (cf. Heading on *Alternative Assembly using LK Cabinet Stand* for more info). The cabinet is supplied with an adjustable base plate for concealing downward piping.



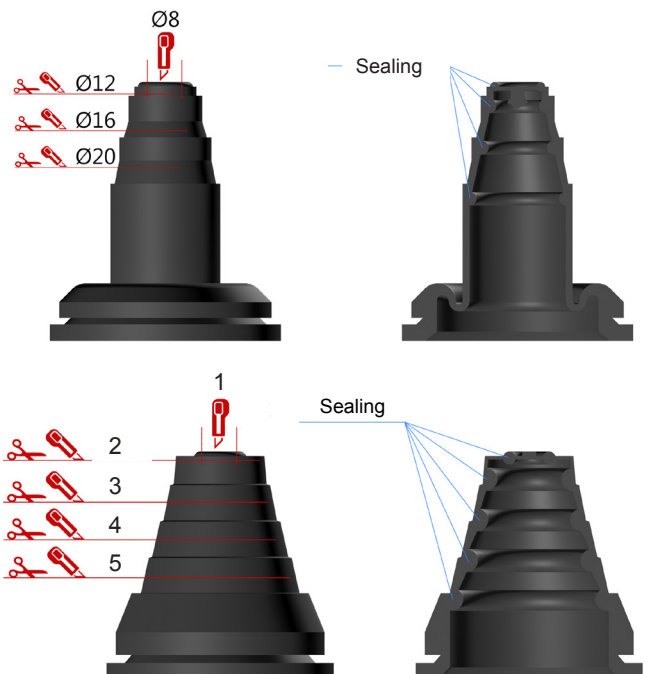
This product conforms to the Swedish industry rules on Safe Water Installation. LK Systems guarantees the functionality of the product if the industry rules and the assembly instructions are followed.

ASSEMBLY

LK Minishunt M60 is assembled to the left of the cabinet. The cabinet is fitted with a base plate which conceals downward piping. The base can be adjusted to a maximum height of 75 mm. **Note.** Note that the **cabinet base tray** may only be assembled a **max 170 mm** above finished flooring so that downward piping is concealed by the base plate. Fasten the cabinet to the framework with the supplied wood screw.

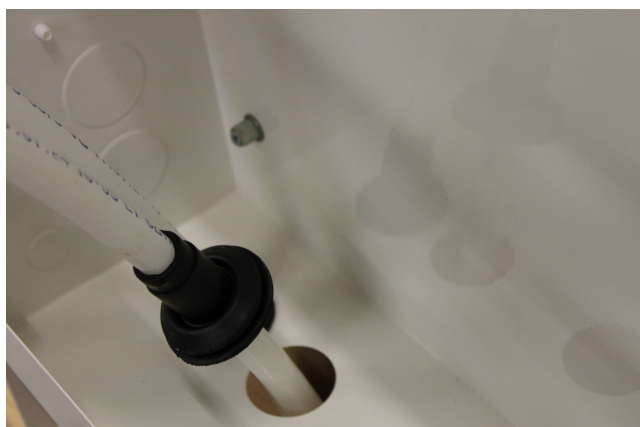
Adjust/cut the supplied pipe grommets so that they fit the required pipe dimension. Then assemble the pipe grommets in the cabinet.

Mount the pipe grommets in those holes which are not used for pipes.



Cutting level	Dim. Pipe	Dim. Conduit (PIP)
1	Ø12	-
2	Ø16	-
3	Ø20	Ø25
4	Ø25	-
5	Ø32	Ø34

Adjust the pipe grommets.



Fit the pipe grommets.

The cabinet is equipped with four M6 studs for fastening LK Minishunt M60. LK Minishunt M60 is assembled in accordance with the instructions enclosed with the minishunt.

Any mini-manifolds are assembled in accordance with the instructions supplied with the mini-manifolds. NB! LK Cabinet M60 WP-XL (installation depth 145 mm) is required for the assembly of LK Mini Manifolds.

Remember to place the blue splash protection discs in front of the minishunt and any assembled mini manifolds in the cabinet. Once the drainage pipe has been assembled according to the instructions below the base plate, frame and hatch should be assembled. Complete the assembly by attaching the supplied white cover plates which conceal the frame screws.

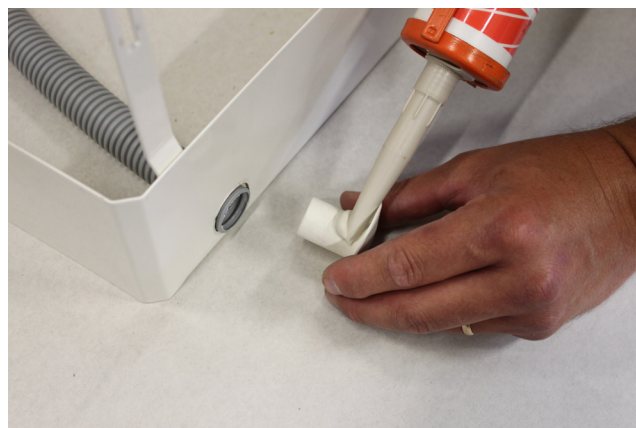
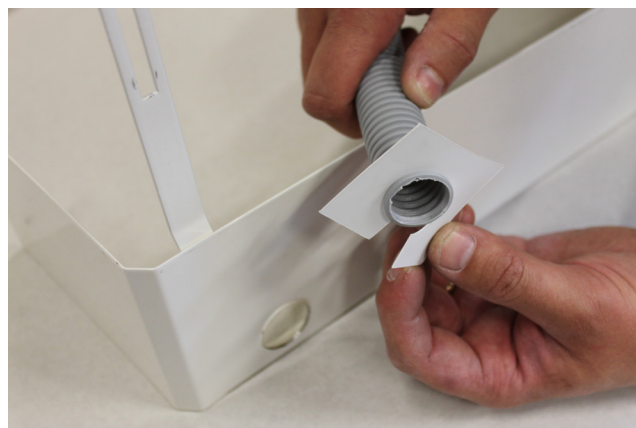
Drainage pipe

Ensure that the cabinet is high enough so that the drainage pipe can be laid sloping downwards. The drainage pipe can either discharge from of the wall or from the cabinet base. Check that the cabinet base is free of debris which may obstruct the drainage hole.

Drainage pipe with discharge from the wall

Attach the supplied rubber sleeve to the cabinet leakage indication outlet, then assemble a 25 mm conduit to the rubber sleeve, allowing the conduit sufficient space to discharge. The maximum length must not exceed 1,5 metres. The conduit should be clamped and the end connection completed with the enclosed end flange.

Drainage pipe with discharge from cabinet base
 Drill a 26-27 mm hole in the base of the cabinet. When choosing where to drill the hole consideration should be given to the bending radius of the conduit. Fasten the conduit using the supplied plastic washer. Finish with the end flange which is glued to the conduit. Adjust the length of the conduit. Then fasten the supplied rubber sleeve to the conduit and connect the rubber sleeve to the cabinet leakage indication outlet. Then attach the base to the cabinet.





ALTERNATIVE ASSEMBLY USING LK CABINET STAND

If the cabinet is to be assembled before the concrete slab is cast the LK Cabinet Stand is an ideal assembly aid. The reverse side of the cabinet is equipped with four M8 nuts. Attach the M8 bolts supplied with the Cabinet Stand to the cabinet. Then attach the pipe clamps to the protruding bolts. Three round bars in the pipe clamps. Remember to assemble the supplied conduit bits (these are used to prevent the round bars from getting stuck in the concrete). Push the round bars through the insulation and down into the sand/ground until the installation feels steady. Raise the cabinet to an appropriate height (max 170 mm above finished flooring, from the bottom of cabinet base tray) and tighten clamps. Tape the conduit to the stand leg to prevent the conduit from rising with the casting.

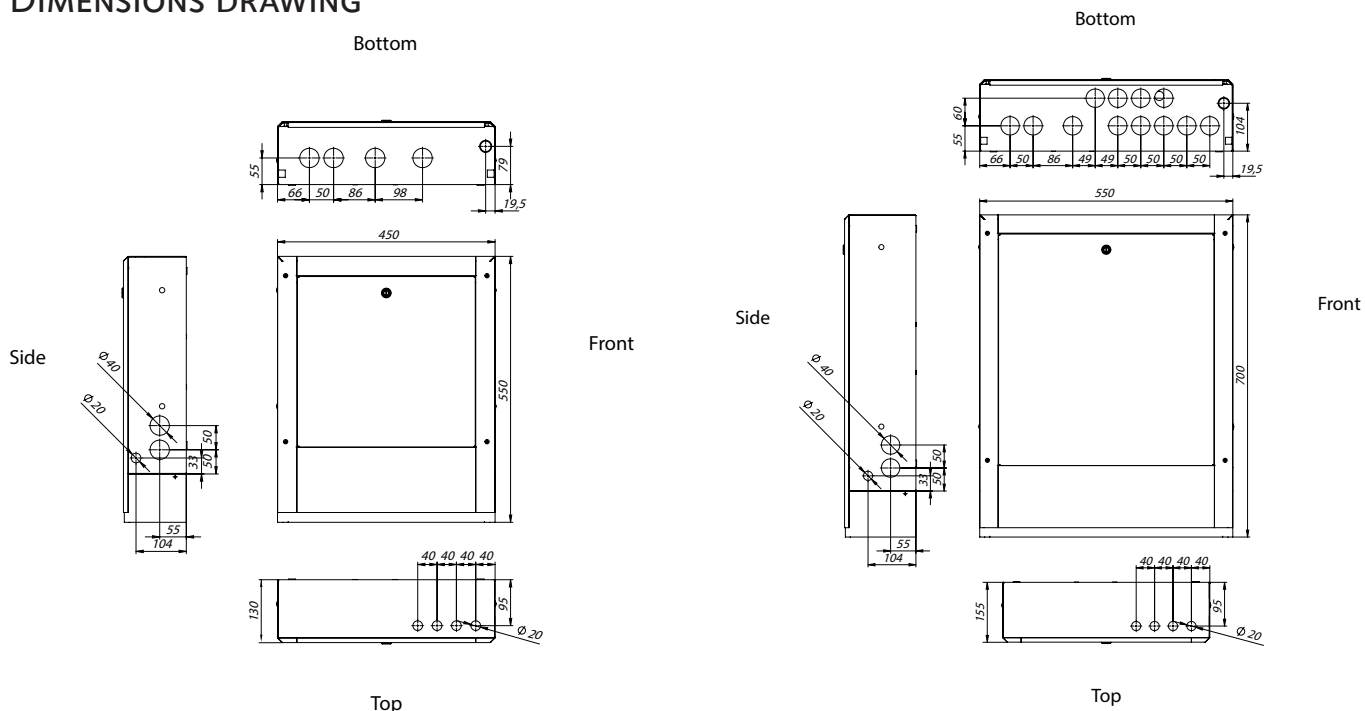


LK Cabinet Stand with brackets



Close-up of attachment to the cabinet

DIMENSIONS DRAWING



LK External Cabinet M60 WP

LK External Cabinet M60 WP-XL

ARTICLE DATA

Name	Article no.	Notes
Name LK External Cabinet M60 WP	241 94 51	Designed for Minishunt M60
LK External Cabinet M60 WP-XL	241 94 52	Intended for Minishunt M60 with mounted mini manifolds.
LK Lock with key	000 27 85	Accessories
LK Cabinet Stand	241 88 94	Accessories